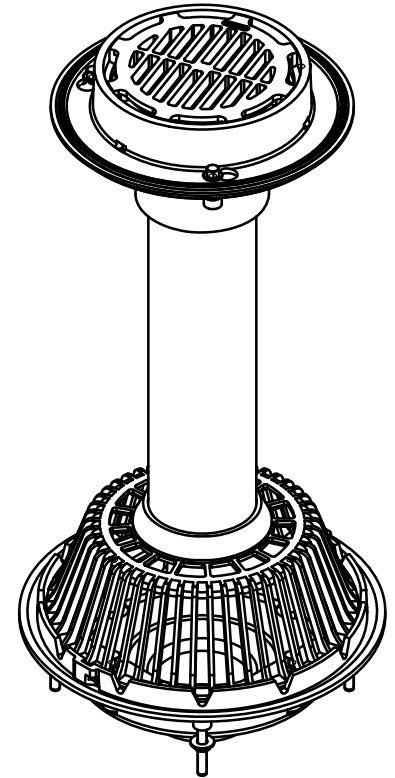
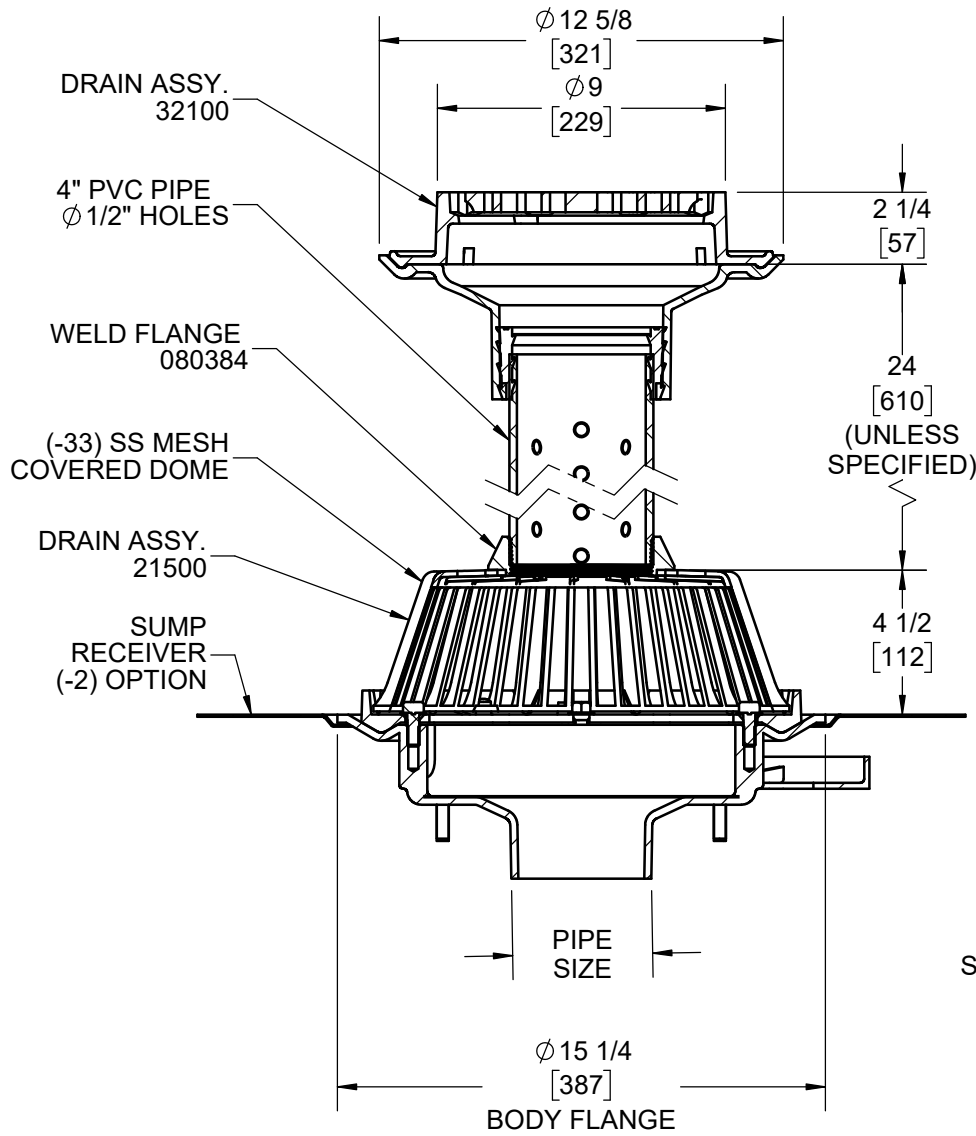


**SPECIFICATION:**

JOSAM SERIES 21500-Q602 COATED CAST IRON LOWER DRAIN AND WEJLOC CLAMP RING WITH SS MESH COVERED CAST IRON DOME MODIFIED FOR THREADED PVC STANDPIPE. TOP SECTION IS 32100 FLOOR DRAIN. SEE 21500 AND 32100 SUBMITTALS FOR ALL AVAILABLE OPTIONS.

**ROOF DRAIN  
PLANTING AREA**

SERIES **21500-Q602**



SHOWN WITH "Y"  
CONNECTION ON TOP

SEE 21500 AND 32100 SUBMITTALS  
FOR ALL AVAILABLE OPTIONS

	-1	UNDERDECK CLAMP
	-2	DRAIN RECEIVER (24" SQ.)
	-VP	VANDALPROOF DOME
	-X	CAULK OUTLET
	-Y	PUSH-ON OUTLET
	-T	THREADED OUTLET
	-Z	NO-HUB OUTLET
X	-33	STAINLESS STEEL MESH COVER

PIPE SIZE
2"
3"
4"
5"
6"
8"

WARNING: Cancer and Reproductive Harm - www.P65Warnings.ca.gov

DATE OF LAST CHANGE: 11/01/22 BLK

DIMENSIONS ARE SUBJECT TO MANUFACTURERS  
TOLERANCES AND CHANGE WITHOUT NOTICE.  
WE CAN ASSUME NO RESPONSIBILITY FOR  
USE OF SUPERSEDED OR VOID DATA.

**JOSAM**  
MICHIGAN CITY, INDIANA

NOTES