

**SPECIFICATION:**

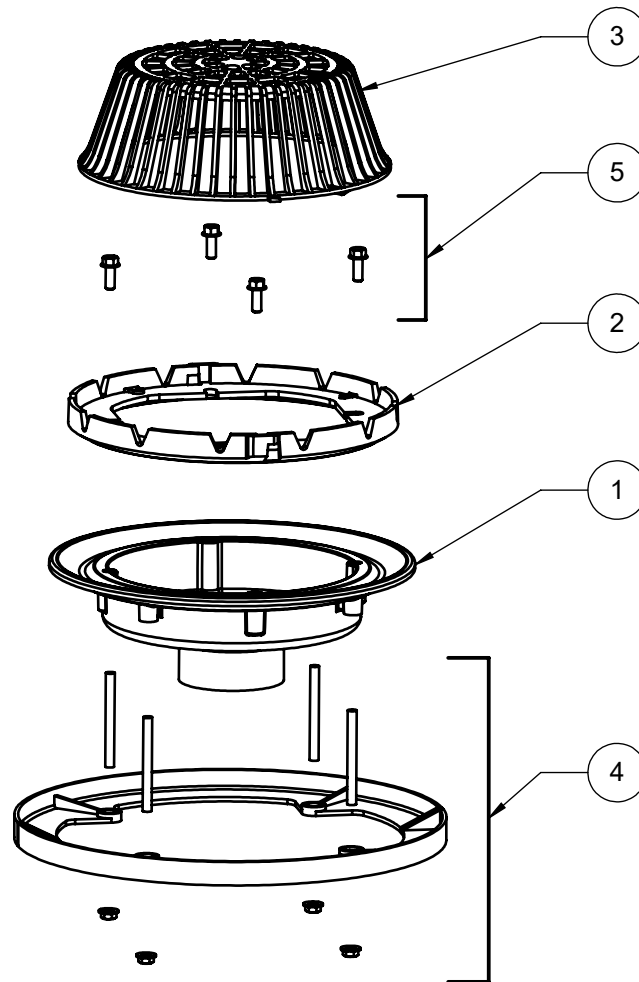
JOSAM SERIES 21500-RP REPLACEMENT PARTS GUIDE.

**ROOF DRAIN  
REPLACEMENT PARTS**

SERIES

**21500-RP**

ITEM NO.	PART NUMBER	DESCRIPTION	QTY.
1	---	BODY	1
2	029269	CLAMP RING	1
3	029273	POLYPROPYLENE DOME	1
4	28600-1P	DECK CLAMP WITH HDWR (-1 OPTION)	1
5	029691	CLAMP RING HARDWARE	1



WARNING: Cancer and Reproductive Harm - www.P65Warnings.ca.gov

DATE OF LAST CHANGE: 11/23/22 BDT

 DIMENSIONS ARE SUBJECT TO MANUFACTURERS  
 TOLERANCES AND CHANGE WITHOUT NOTICE.  
 WE CAN ASSUME NO RESPONSIBILITY FOR  
 USE OF SUPERSEDED OR VOID DATA.

**JOSAM**  
MICHIGAN CITY, INDIANA

NOTES