

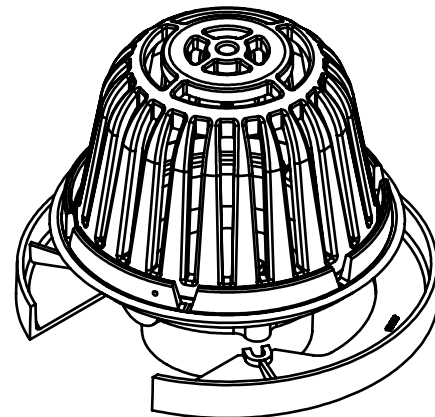
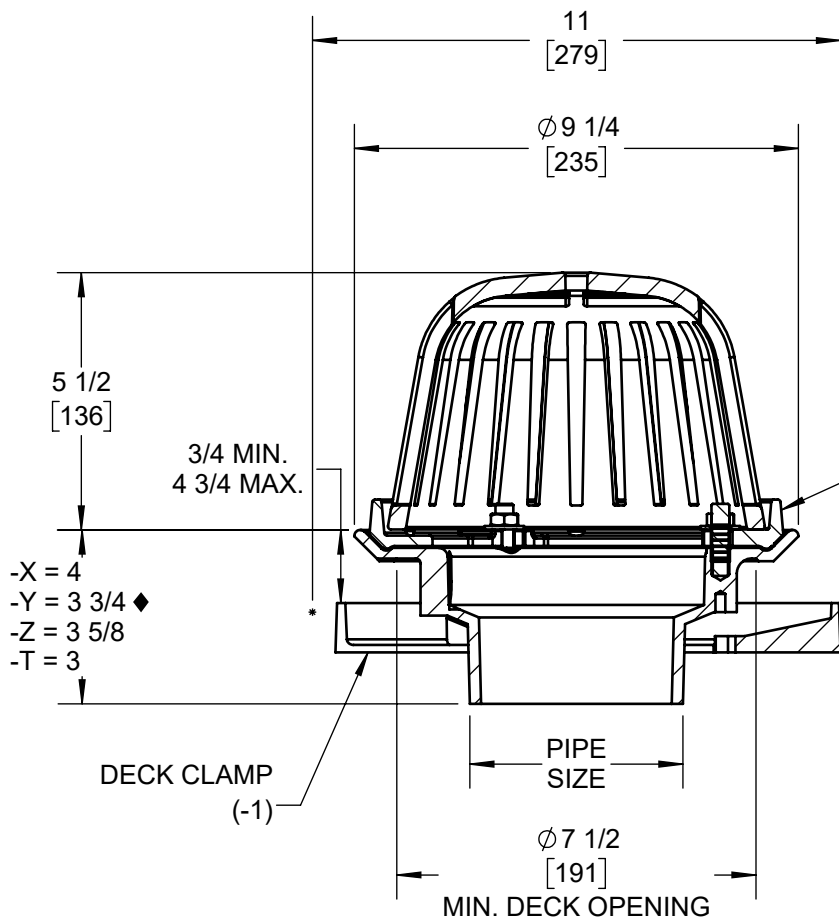
SPECIFICATION:

JOSAM 22080 SERIES COATED CAST IRON ROOF DRAIN, BEEHIVE DOME, WEJLOC® NON-PUNCTURING CLAMP RING WITH INTEGRAL GRAVEL STOP, SMALL SUMP WITH ROOF FLANGE AND BOTTOM OUTLET.

**ROOF DRAIN
SMALL SUMP, HIGH DOME**

SERIES **22080**

DOME FREE AREA: 37.6 SQ. IN.



WEJLOC CLAMP RING AND GRAVEL STOP

◆ GASKET ON -Y CONNECTION CONFORMS WITH ASTM-C564

* DRAIN RECEIVER CANNOT BE USED WITH -TSO OPTION.

** -10 EXTENSION 1" STANDARD

▼ SEPARATE SUBMITTAL FOR THIS OPTION AVAILABLE

	2"	PIPE SIZE		-10-20	FIXED EXT. COLLAR, GALVANIZED (SPECIFY HEIGHT **)
	3"	PIPE SIZE		-17 ▼	2" HIGH SOLID CLAMPING COLLAR
	4"	PIPE SIZE		-20	GALVANIZED CAST IRON PARTS
				-21	GALVANIZED CAST IRON DOME ONLY
	-X	INSIDE CAULK OUTLET		-23	ROUGH BRONZE DOME
	-Y	HUB OUTLET WITH GASKET		-26	ALUMINUM DOME
	-Z	NO-HUB SPIGOT OUTLET		-33	SS MESH-COVERED DOME
	-T	THREADED OUTLET		-TSO*	THREADED SIDE OUTLET
				-FG ▼	FLAT GRATE
	-1	DECK CLAMP ASSEMBLY		-VP	VANDAL-PROOF DOME
	-1C	DRAIN RECEIVER CLIPS (MIN. DECK OPENING ϕ 16.5")			
	-2	DRAIN RECEIVER			
	-3	DECK CLAMP ASSEMBLY AND DRAIN RECEIVER			
	-3C	DRAIN RECEIVER AND DRAIN RECEIVER CLIPS			
	-10	FIXED EXT. COLLAR, CAST IRON (SPECIFY HEIGHT **)			

DATE OF LAST CHANGE: 12/09/22 BDT

DIMENSIONS ARE SUBJECT TO MANUFACTURERS TOLERANCES AND CHANGE WITHOUT NOTICE. WE CAN ASSUME NO RESPONSIBILITY FOR USE OF SUPERSEDED OR VOID DATA.

JOSAM
MICHIGAN CITY, INDIANA

NOTES

WARNING: Cancer and Reproductive Harm - www.P65Warnings.ca.gov