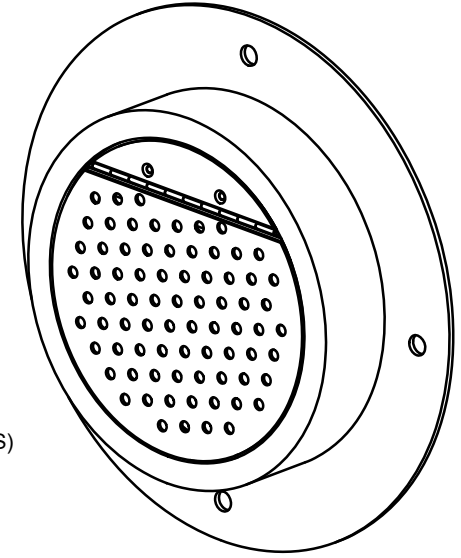
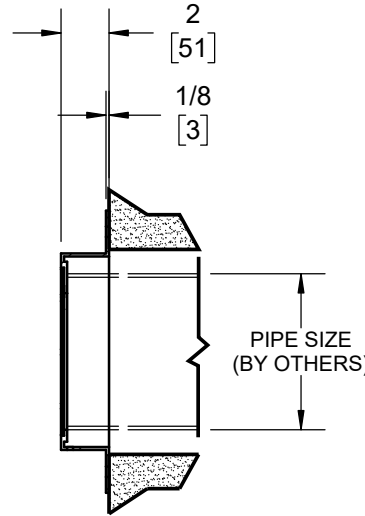
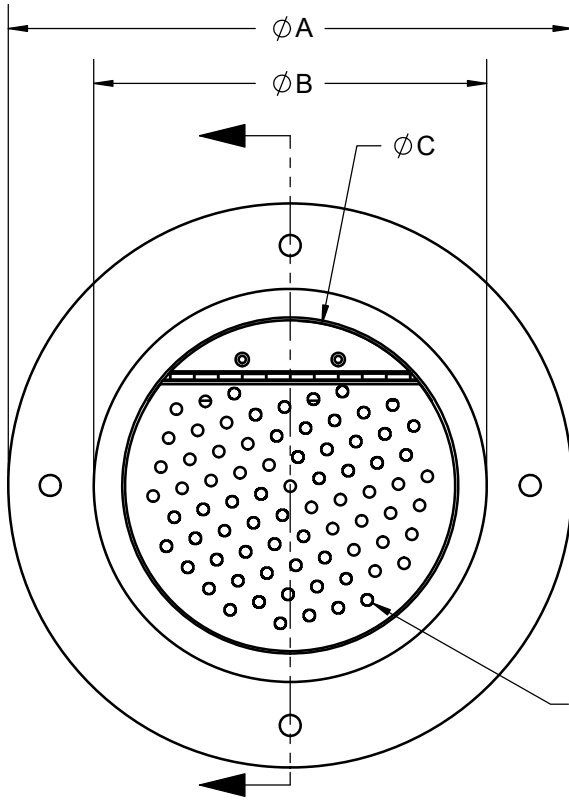


**SPECIFICATION:**

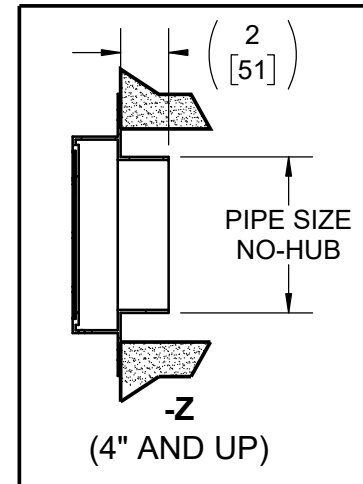
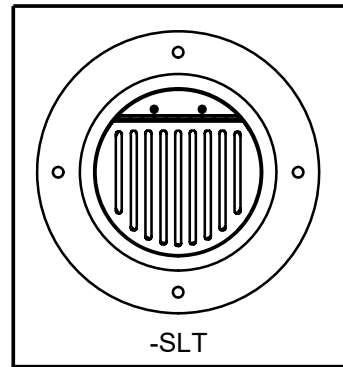
JOSAM SERIES 25020 STAINLESS STEEL (TYPE 304) DOWNSPOUT COVER WITH SECURING FLANGE AND HINGED COVER.

**SPECIAL PURPOSE  
DOWNSPOUT COVER**

SERIES **25020**



Ø 1/4 [6] PERF



**OPTIONS:**

-Z	WITH NO-HUB CONNECTION (MIN. 4")
-VP	VANDAL PROOF
-316	TYPE 316L MATERIAL
-SLT	SLOTTED COVER (1/4")

SELECTING - 316  
REQUIRES SIGNATURE

PRODUCT IS NON-CANCELABLE  
AND NON-RETURNABLE

NAME: \_\_\_\_\_

SIGNATURE: \_\_\_\_\_

DATE: \_\_\_\_\_

PIPE SIZE	MODEL	Ø A	Ø B	Ø C	MAX PIPE OD	-Z PIPE OD
2"	25024	8-3/4	6-3/8	5	6	
3"	25024	8-3/4	6-3/8	5	6	
4"	25024	8-3/4	6-3/8	5	6	4-3/8
5"	25025	9-3/4	7-3/8	6	7	5-5/16
6"	25026	11-3/4	8-3/8	7	8	6-5/16
8"	25028	13-3/4	10-3/8	9	10	8-3/8
10"	25029	15-3/4	12-3/8	11	12	10-9/16
12"	25029-12	17-3/4	14-3/8	13	14	12-1/2
15"	25029-15	20-3/4	16-15/16	16	17	15-13/16
16"	25029-16	21-3/4	18	17	17-1/2	16
18"	25029-18	22-5/16	18-3/4	18	18-1/2	18-1/8

WARNING: Cancer and Reproductive Harm - www.P65Warnings.ca.gov

DATE OF LAST CHANGE: 05/02/23 BT

DIMENSIONS ARE SUBJECT TO MANUFACTURERS TOLERANCES AND CHANGE WITHOUT NOTICE. WE CAN ASSUME NO RESPONSIBILITY FOR USE OF SUPERSEDED OR VOID DATA.

**JOSAM**  
MICHIGAN CITY, INDIANA

NOTES