

30000

Floor Drain

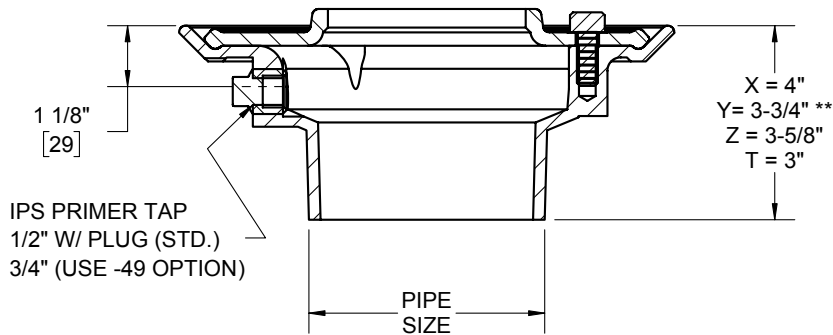
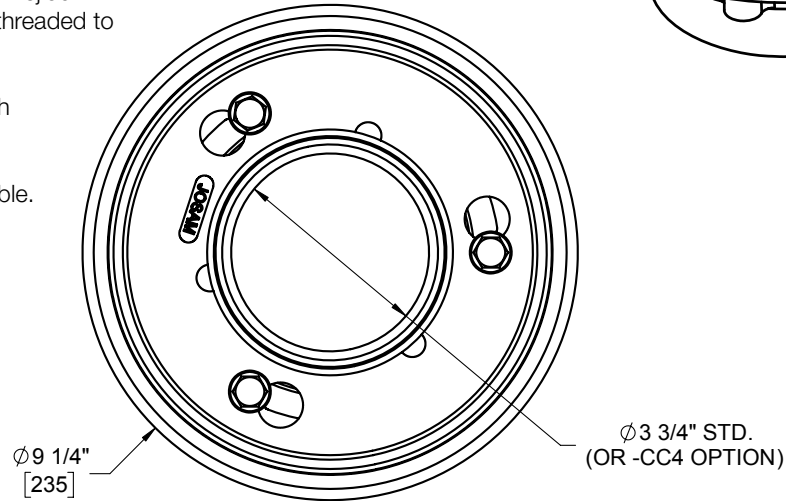
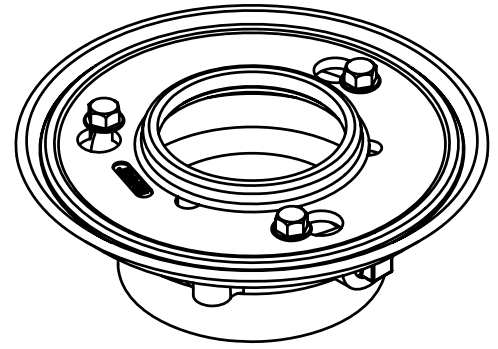
Body Only

Specification

Josam 30000 series cast iron floor drain, two-piece body with double drainage flange and 1/2" primer tap with plug, bottom outlet connection, Wejloc® invertible flashing collar, weepholes and threaded to receive Josam adjustable strainer.

**Gasket on -Y connection conforms with ASTM-C564

*Separate submittal for this option available.



-TSO	Threaded side outlet*
-ST	With shallow trap (2" and 3" only)*
-PD	Prison drain (2" and 3" only)*
-ARE	Acid-resisting epoxy
-49	3/4" primer tap
-CC4	4" tapered thread clamp collar
-91	Rough bronze body

-92	Galvanized cast iron parts
-T	Threaded outlet
-X	Inside caulk outlet
-Y	Hub outlet with gasket**
-YGTC	-Y outlet gasket with test cap
-Z	No-hub spigot outlet

	Pipe Size
	2"
	3"
	4"

Josam product specifications in U.S. customary units are approximate and provided for reference only. For precise measurements, please contact Josam Technical Support. Josam reserves the right to change or modify product design, construction, specifications, or materials without prior notice and without incurring any obligation to make such changes and modifications on Josam products previously or subsequently sold.

Notes:



A WATTS Brand