

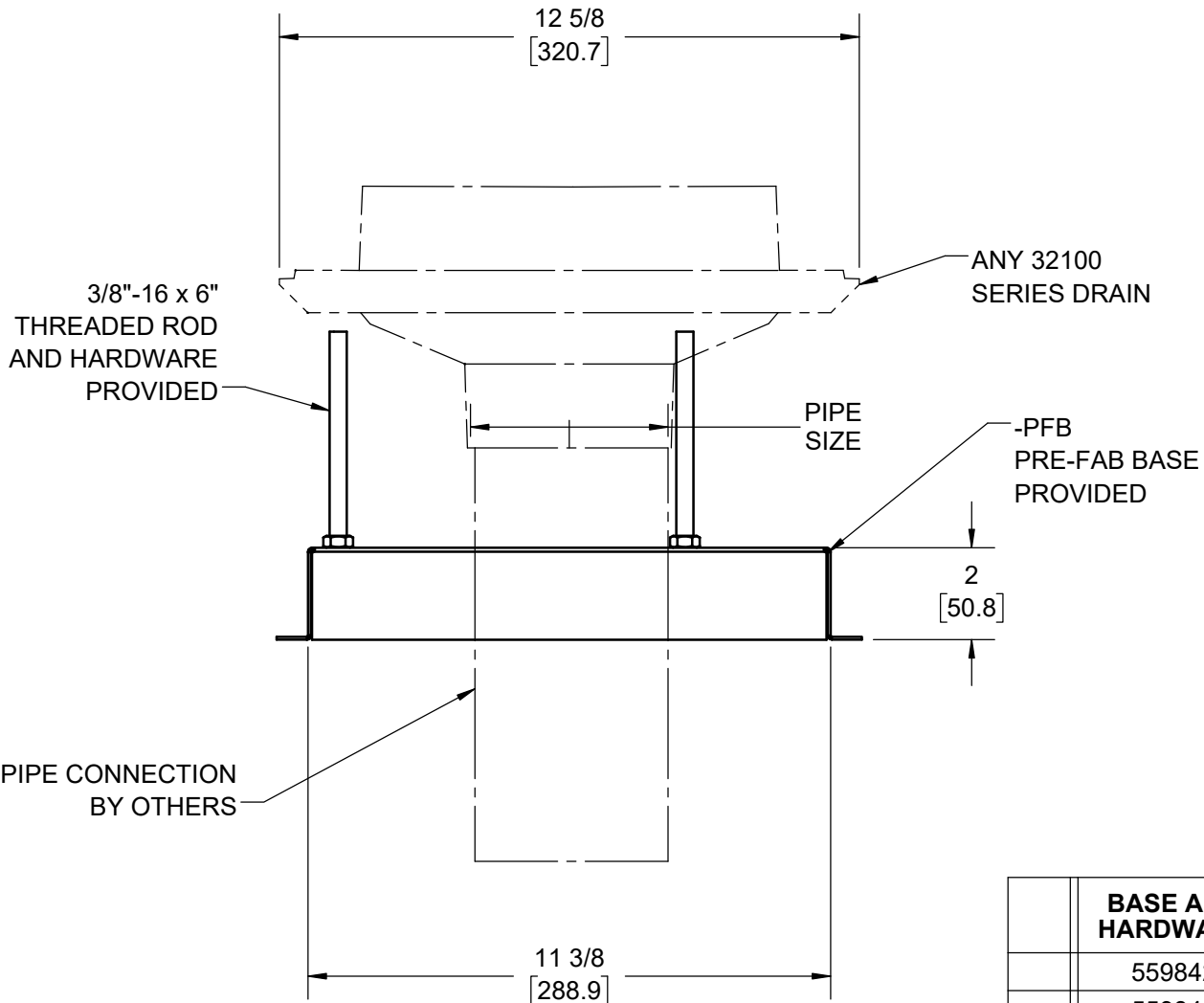
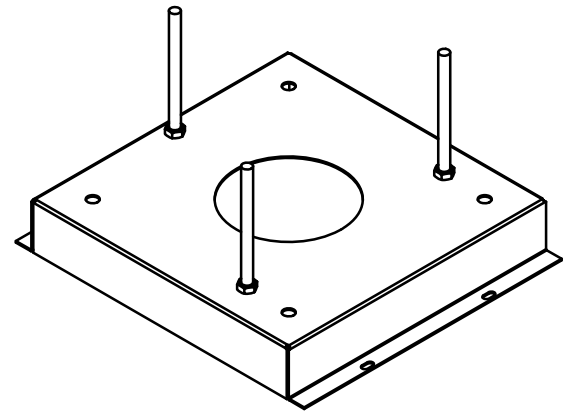
SPECIFICATION:

JOSAM PRE-FAB BASE WITH HARDWARE FOR SERIES 32100 DRAINS

-PFB OPTION MUST BE ORDERED AT TIME OF DRAIN FOR PROPER MAODIFICATION OF DRAIN BODY

**DRAIN
PRE-FAB BASE**

SERIES /
PART NO. **32100-PFB**



	BASE AND HARDWARE	PIPE SIZE
	559842	2"
	559843	3"
	559844	4"

DATE OF LAST CHANGE: 02/05/25 | BLK

DIMENSIONS ARE SUBJECT TO MANUFACTURERS TOLERANCES AND CHANGE WITHOUT NOTICE. WE CAN ASSUME NO RESPONSIBILITY FOR USE OF SUPERSEDED OR VOID DATA.



MICHIGAN CITY, INDIANA

NOTES