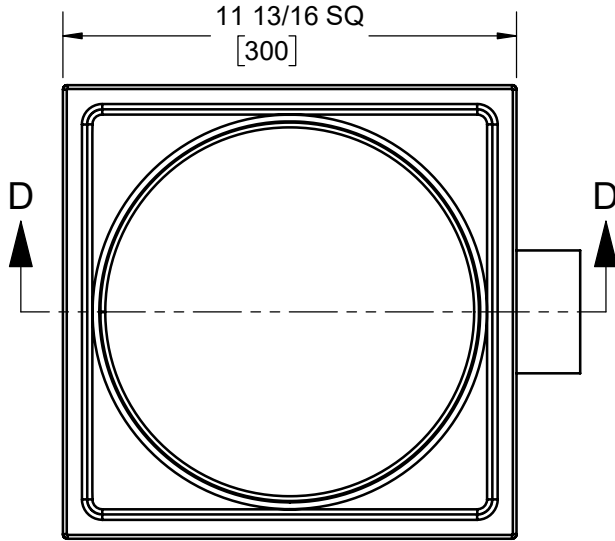


SPECIFICATION:

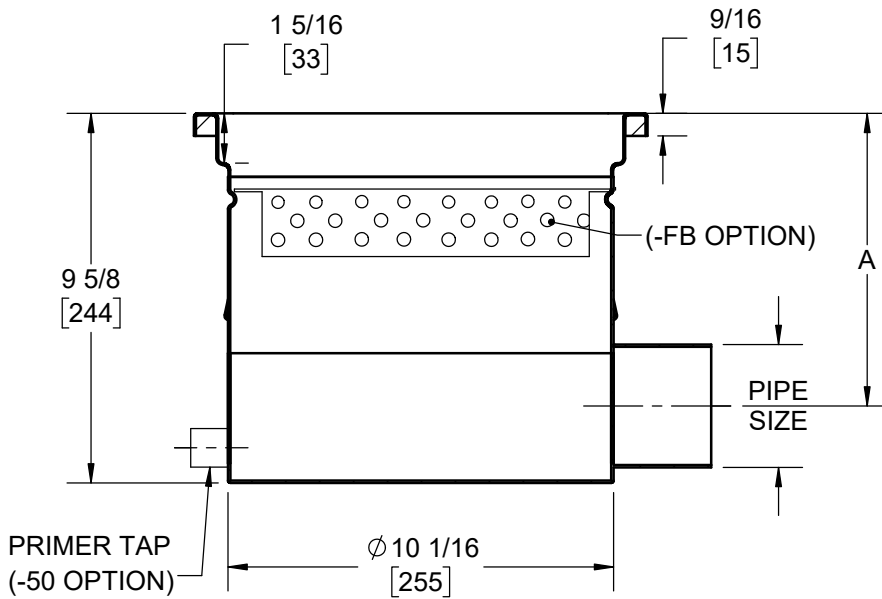
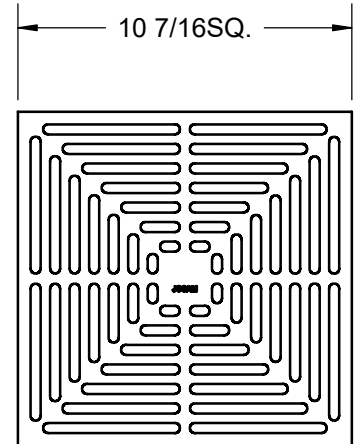
JOSAM SERIES 41650-SO FABRICATED STAINLESS STEEL (TYPE 304, 14 GA), 12" SQUARE TOP, 10" DEEP, WITH NO-HUB SIDE OUTLET, ANCHOR TABS AND PERFORATED SS GRATE (STANDARD).

SS DRAIN
12" SQUARE TOP, 10" DEEP

SERIES **41650-SO**



STANDARD GRATE
FREE AREA = 42.3 IN²
MEETS ADA AND HEEL-PROOF REQS.



MODEL	PIPE SIZE	A
41653	3"	7.4 [188]
41654	4"	6.9 [175]
41656	6"	5.9 [150]

OPTIONS:

	-CWD	CAN WASH DRAIN
	-NB	NICKEL BRONZE RIM & GRATE (*ADD 0.5")
	-FB	FILTER BASKET
	-SB	SEDIMENT BUCKET
	-VP	SECURED GRATE
	-DB	DOME BOTTOM STRAINER
X	-SO	SIDE OUTLET
	-50	1/2" PRIMER TAP
	-WH	WEEPHOLES (1 PER SIDE, ϕ 1/8")
	-T	THREADED OUTLET
	-PFO	PUSH-FIT SIZE OUTLET

	-WF	WIDE FLANGE
	-F	FLANGE, ANCHOR
	-CF	CLAMP AND FLANGE
	-BW	BUTT-WELD OUTLET (SPEC. 10, 40, 80)
	-NG	NO GRATE
	-HG	PERF. HALF GRATE
	-3Q	PERF. 3/4 GRATE
	-MG	MESH, ANTI-SLIP GRATE
	-LG	LADDER GRATE
	-SG	PERIMETER SLOT GRATE
	-316	TYPE 316L MATERIAL

DATE OF LAST CHANGE: 08/30/21

DIMENSIONS ARE SUBJECT TO MANUFACTURERS TOLERANCES AND CHANGE WITHOUT NOTICE. WE CAN ASSUME NO RESPONSIBILITY FOR USE OF SUPERSEDED OR VOID DATA.

JOSAM
MICHIGAN CITY, INDIANA

NOTES