

SPECIFICATION:

JOSAM SERIES 43670 FABRICATED STAINLESS STEEL (TYPE 304), 12" SQUARE TOP, ADJUSTABLE DEPTH, WITH NO-HUB BOTTOM OUTLET, LEVELING FEET, MEMBRANE CLAMP, AND PERFORATED SS GRATE (STANDARD).

SS DRAIN

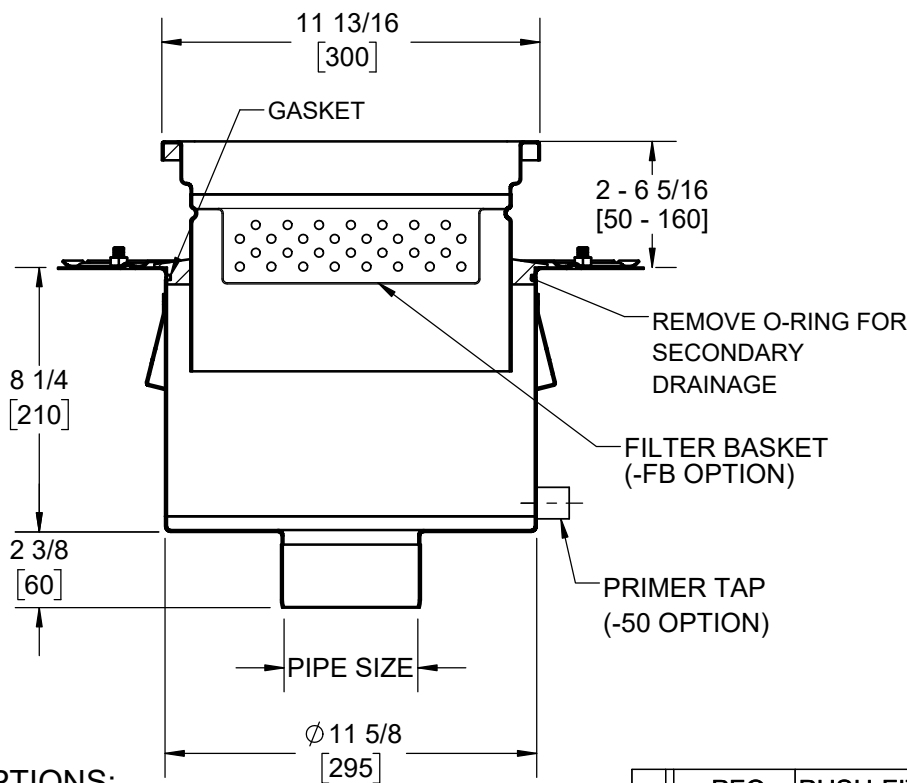
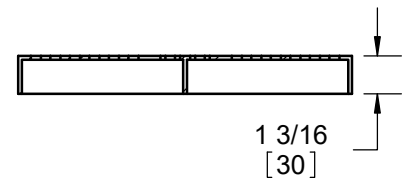
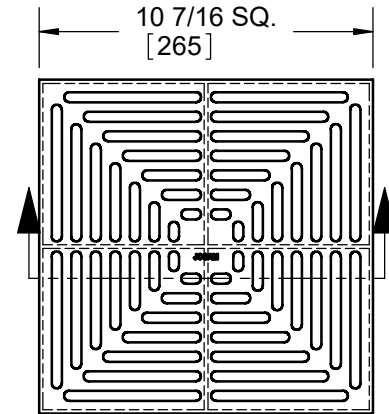
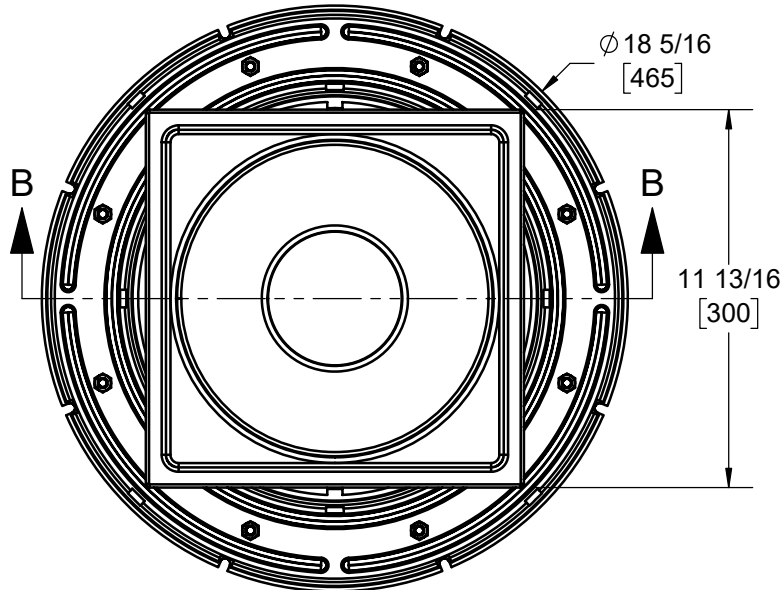
12" SQUARE TOP, ADJUSTABLE

SERIES

43670

STANDARD GRATE

FREE AREA = 42.3 IN²
MEETS ADA AND HEEL-PROOF REQS.



	MODEL	PIPE SIZE
	43673	3"
	43674	4"
	43676	6"

OPTIONS:

-FB	FILTER BASKET
-SB	SEDIMENT BUCKET
-VP	SECURED GRATE
-SO	SIDE OUTLET
-50	1/2" PRIMER TAP
-T	THREADED OUTLET
-BW	BUTT-WELD OUTLET (SPEC. 10, 40, 80)

-PFO	PUSH-FIT OUTLET
-NG	NO GRATE
-HG	PERF. HALF GRATE
-3Q	PERF. 3/4 GRATE
-MG	MESH, ANTI-SLIP GRATE
-LG	LADDER GRATE
-SG	PERIMETER SLOT GRATE
-316	TYPE 316L MATERIAL

DATE OF LAST CHANGE: 09/15/21

DIMENSIONS ARE SUBJECT TO MANUFACTURERS TOLERANCES AND CHANGE WITHOUT NOTICE. WE CAN ASSUME NO RESPONSIBILITY FOR USE OF SUPERSEDED OR VOID DATA.

JOSAM

MICHIGAN CITY, INDIANA

NOTES