

**SPECIFICATION:**

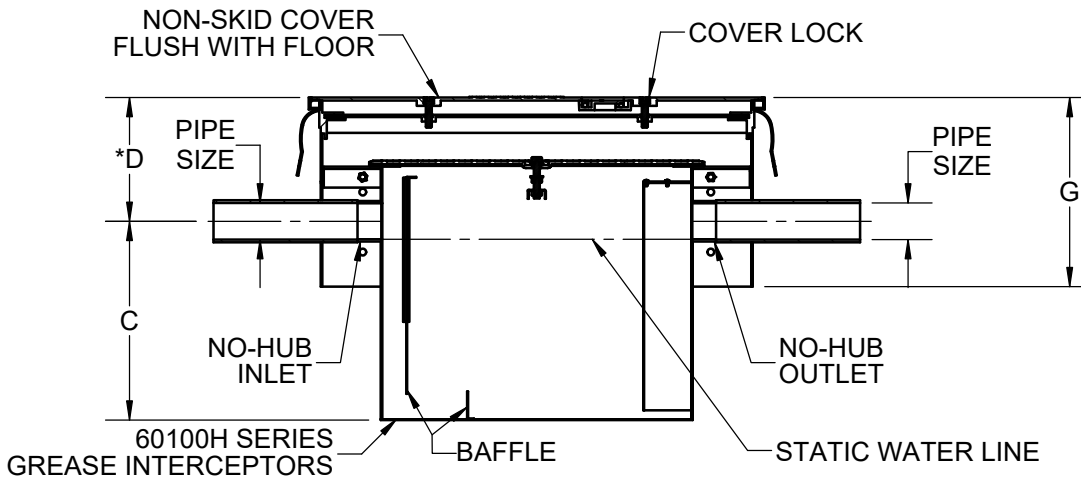
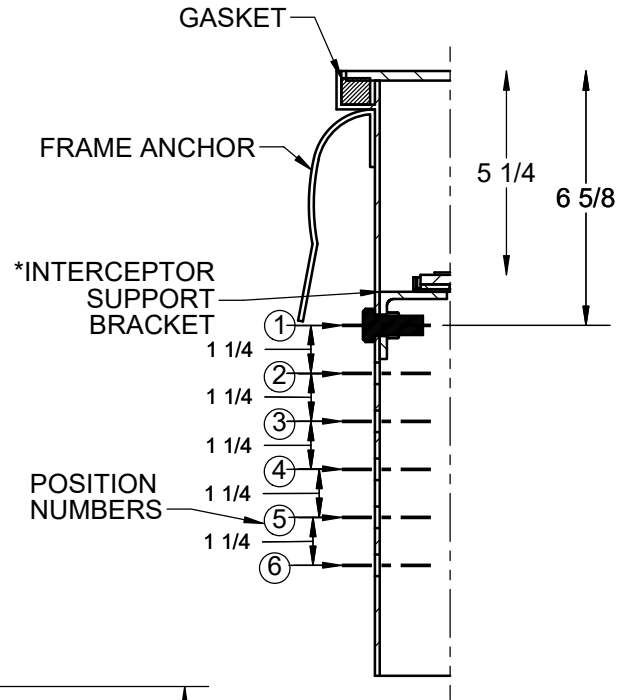
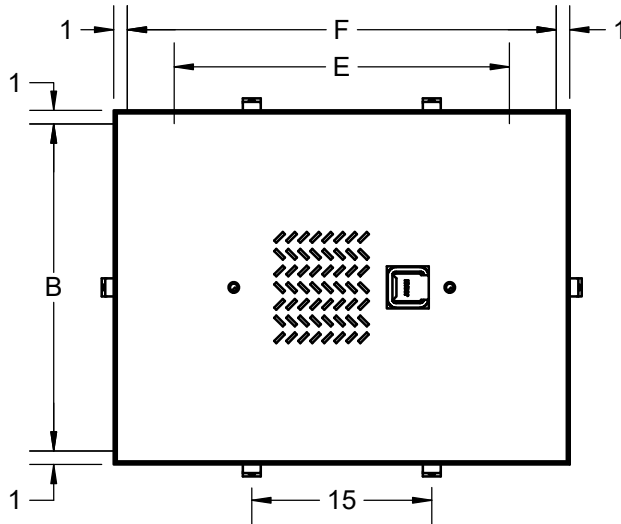
JOSAM 60100H-RT SERIES EPOXY COATED FABRICATED STEEL GREASE INTERCEPTOR, DEEP ROUGHING FLUSH-WITH-FLOOR TYPE, NO-HUB CONNECTIONS, INTERNAL TRAP, REMOVABLE DIFFUSER BAFFLE, GASKETED NON-SKID COVER, FLOW CONTROL FITTING, PDI SEAL OF APPROVAL AND STEEL FRAME WITH NON-SKID COVER AND ADJUSTABLE INTERCEPTOR CARRIER BRACKETS.

**GREASE INTERCEPTOR  
MANUAL RECESSED TYPE**

SERIES **60100H-RT**

CONFORMS TO PLUMBING AND DRAINAGE INSTITUTE STANDARD PDI-G101.

NOTE: INTERCEPTOR SUPPORT BRACKETS ADJUSTABLE FOR VARYING DEPTHS OF FLOOR CONSTRUCTION.



			TYPE	FLOW RATE	CAP. LBS.	PIPE SIZE	B	C	*D	E	F	G
	-40	COVER RECESS FOR FLOOR FINISH										
	-61	FLANGE AND CLAMP DEVICE	60102H-RT	7	14	2	15	8-1/4	8-3/4	14-7/8	23	15-3/4
	-85	ENZYMATIC PORT IN COVER	60103H-RT	10	20	2	16-1/2	8-1/2	8-3/4	16-5/8	24-3/4	15-3/4
	-ISI	INTEGRATE SOLIDS INTERCEPTOR	60104H-RT	15	30	2	19	9-1/2	8-3/4	20-3/8	28-1/2	15-3/4
X	-RT	RECESSED TYPE	60105H-RT	20	35	3	21	12	10-1/4	20-7/8	29	15-3/4
	-HD	HEAVY-DUTY COVER	60106H-RT	25	50	3	23-1/2	13	10-1/4	23-3/8	31-1/2	15-3/4
			60107H-RT	35	70	3	25	14-1/2	10-1/4	26-1/8	34-1/4	15-3/4
			60108H-RT	50	100	3	27-1/2	16-1/2	10-1/4	27-7/8	36	15-3/4
			60109H-RT	75	150	3	33	21	11-3/8	41	49-1/8	15-3/4
			60110H-RT	100	200	4	37	23	13-3/8	47	55-1/8	15-3/4

\*DIMENSIONS BASED ON INTERCEPTOR IN POSITION #1  
ADD 1-1/4" PER EACH SUCCEEDING LOWER POSITION

WARNING: Cancer and Reproductive Harm - www.P65Warnings.ca.gov

DATE OF LAST CHANGE: 01/05/21

DIMENSIONS ARE SUBJECT TO MANUFACTURERS TOLERANCES AND CHANGE WITHOUT NOTICE. WE CAN ASSUME NO RESPONSIBILITY FOR USE OF SUPERSEDED OR VOID DATA.



MICHIGAN CITY, INDIANA

NOTES