

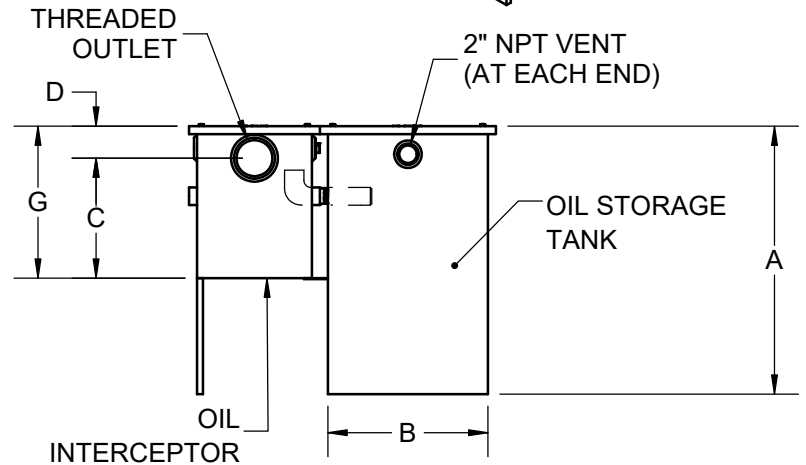
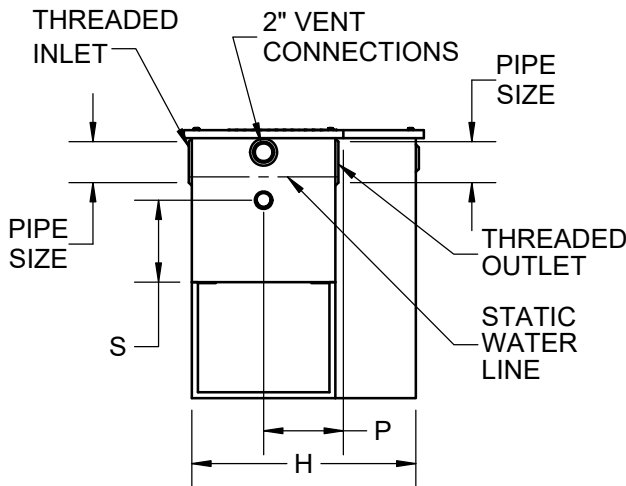
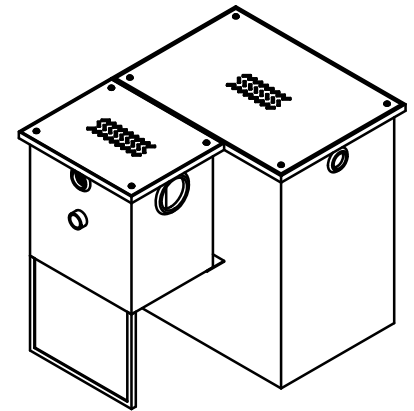
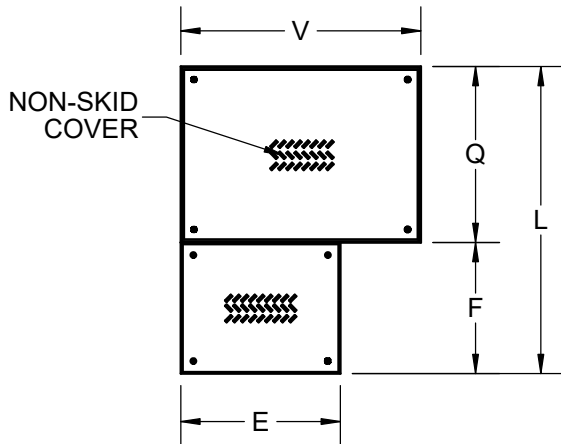
**SPECIFICATION:**

JOSAM 60500B-EST STEEL OIL SEPARATOR, FLUSH-WITH-FLOOR TYPE WITH OIL STORAGE TANK, THREADED CONNECTIONS, FLAT-BOTTOM, INTERNAL TRAP, SEDIMENT BUCKET, GASKETED COVER, ACID RESISTANT COATED (INSIDE & OUT), CHECK VALVE AND FLOW CONTROL FITTING.

**OIL SEPARATOR  
WITH EXTERNAL  
STORAGE TANK**

SERIES **60500B-EST**

FORMERLY 60500A-Q508



-HD	HEAVY-DUTY COVER
-19	RECLAIM TANK ALARM
-60	ANCHOR FLANGE
-61	ANCHOR FLANGE AND CLAMP DEVICE
-EXT	EXTENSION (SPECIFY "D" DIMENSION)

PRODUCT IS NON-CANCELABLE AND NON-RETURNABLE

NAME: \_\_\_\_\_

SIGNATURE: \_\_\_\_\_

DATE: \_\_\_\_\_

	TYPE	FLOW RATE	TANK (GAL.)	PIPE SIZE	A	B	C	D	E	F	G	H	L	P	Q	S	V
	60503B-EST-5	10	5	2	13-3/8	20	10-1/2	4-1/8	15-1/2	12-3/8	14-5/8	17-3/8	34-3/8	7-3/4	22	6-3/4	19-3/8
	60503B-EST-50	10	50	2	33-1/2	20	10-1/2	4-1/8	15-1/2	12-3/8	14-5/8	28	34-3/8	7-3/4	22	6-3/4	30
	60504B-EST-6	15	6	2	16-1/8	20	12-3/4	3-3/8	18-1/4	14-1/2	16-1/8	20-1/8	36-1/2	9-1/8	22	9	22-1/8
	60504B-EST-50	15	50	2	33-1/2	20	12-3/4	3-3/8	18-1/4	14-1/2	16-1/8	28	36-1/2	9-1/8	22	9	30
	60505B-EST-8	20	8	3*	17-3/8	20	14-5/8	4-3/8	20	16-3/8	19	22-3/4	38-3/8	10	22	10-1/4	24-3/4
	60505B-EST-50	20	50	3*	33-1/2	20	14-5/8	4-3/8	20	16-3/8	19	28	38-3/8	10	22	10-1/4	30
	60506B-EST-50	25	50	3*	33-1/2	20	16	4	21-3/4	17-1/2	20	28	39-1/2	10-7/8	22	11-3/4	30
	60506B-EST-100	25	100	3*	38	24	16	4	21-3/4	17-1/2	20	36	43-1/2	10-7/8	26	11-3/4	38
	60507B-EST-50	35	50	3*	33-1/2	20	16-3/4	4-7/8	25-1/4	19-1/4	21-5/8	28	41-1/4	12-5/8	22	12-1/2	30
	60507B-EST-100	35	100	3*	38	24	16-3/4	4-7/8	25-1/4	19-1/4	21-5/8	36	45-1/4	12-5/8	26	12-1/2	38
	60508B-EST-50	50	50	3*	33-1/2	20	18-1/2	6-1/4	28-3/4	21-1/2	24-3/4	28	43-1/2	14-3/8	22	14-1/4	30
	60508B-EST-100	50	100	3*	38	24	18-1/2	6-1/4	28-3/4	21-1/2	24-3/4	36	47-1/2	14-3/8	26	14-1/4	38

\*3" PIPE SIZE NORMALLY FURNISHED WITH 4" x 3" REDUCING BUSHING

WARNING: Cancer and Reproductive Harm - www.P65Warnings.ca.gov

DATE OF LAST CHANGE: 04/29/21

DIMENSIONS ARE SUBJECT TO MANUFACTURERS TOLERANCES AND CHANGE WITHOUT NOTICE. WE CAN ASSUME NO RESPONSIBILITY FOR USE OF SUPERSEDED OR VOID DATA.



MICHIGAN CITY, INDIANA

NOTES