

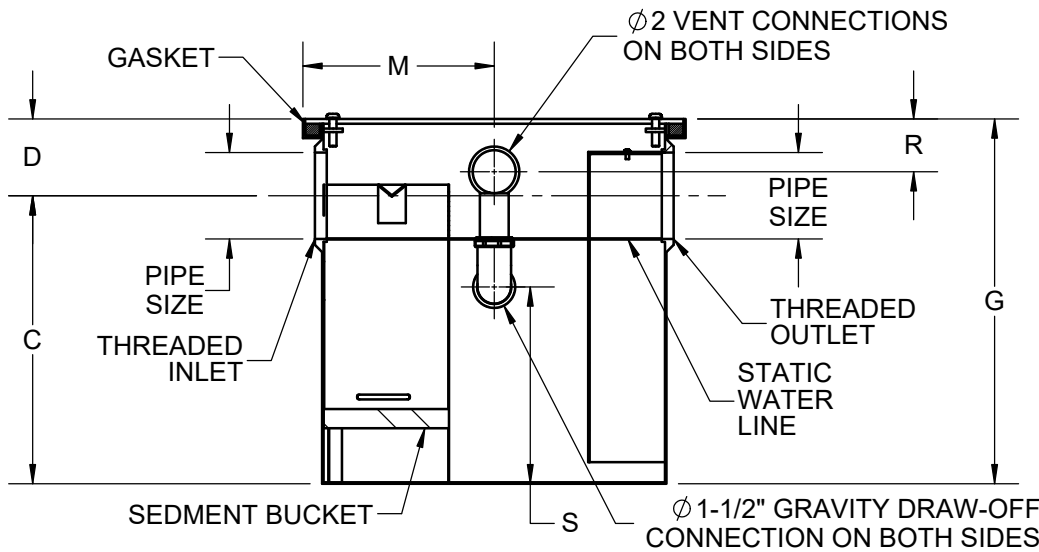
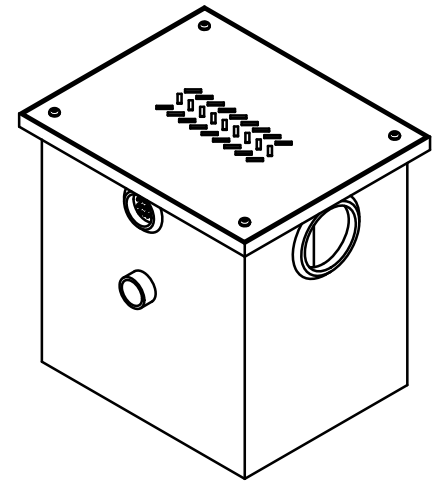
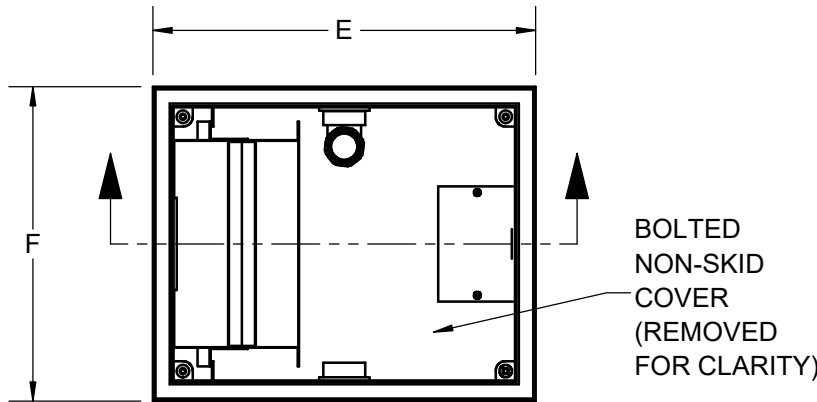
SPECIFICATION:

JOSAM 60500B SERIES EPOXY COATED FABRICATED STEEL OIL SEPARATOR, THREADED CONNECTIONS, INTERNAL TRAP, SEDIMENT BUCKET, TWO-VENT CONNECTIONS ON EACH SIDE, GASKETED NON-SKID COVER AND FLOW-CONTROL FITTING.

**OIL SEPARATOR
DRAW-OFF, GRAVITY TYPE**

SERIES **60500B**

FORMERLY 60500A SERIES



Δ	-EXT	EXTENSION, 6" STANDARD (SPECIFY EXT. HEIGHT)
Δ	-EST	EXTRA STORAGE TANK
	-60	ANCHOR FLANGE (-EXT REQUIRED)
	-61	FLANGE AND CLAMP DEVICE (-EXT REQUIRED)
	-HD	HEAVY-DUTY COVER (MUST SPECIFY WITH SEPARATOR ORDER)

PRODUCT IS NON-CANCELABLE AND NON-RETURNABLE

NAME: _____

SIGNATURE: _____

DATE: _____

Δ SEPARATE SUBMITTAL FOR THIS OPTION AVAILABLE

	TYPE	FLOW RATE (GPM)	PIPE SIZE	C	D	E	F	G	M	R	S
	60503B	10	2"	10 1/2"	4 1/8"	15 1/2"	12 3/8"	14 5/8"	6 5/8"	2 7/8"	6 3/4"
	60504B	15	2"	12 3/4"	3 3/8"	18 1/4"	14 1/2"	16 1/8"	8"	2 5/8"	9"
	60505B	20	*3"	14 5/8"	4 3/8"	20"	16 3/8"	19"	8 7/8"	2 3/4"	10 1/4"
	60506B	25	*3"	16"	4"	21 3/4"	17 1/2"	20"	9 3/4"	2 3/4"	11 3/4"
	60507B	35	*3"	16 3/4"	4 7/8"	25 1/4"	19 1/4"	21 5/8"	11 1/2"	2 3/4"	12 1/2"
	60508B	50	*3"	18 1/2"	6 1/4"	28 3/4"	21 1/2"	24 3/4"	13 1/4"	3"	14 1/4"

* 3" SIZES NORMALLY FURNISHED WITH 4" x 3" REDUCING BUSHINGS

DATE OF LAST CHANGE: 07/25/22

DIMENSIONS ARE SUBJECT TO MANUFACTURERS TOLERANCES AND CHANGE WITHOUT NOTICE. WE CAN ASSUME NO RESPONSIBILITY FOR USE OF SUPERSEDED OR VOID DATA.



MICHIGAN CITY, INDIANA

NOTES

WARNING: Cancer and Reproductive Harm - www.P65Warnings.ca.gov