

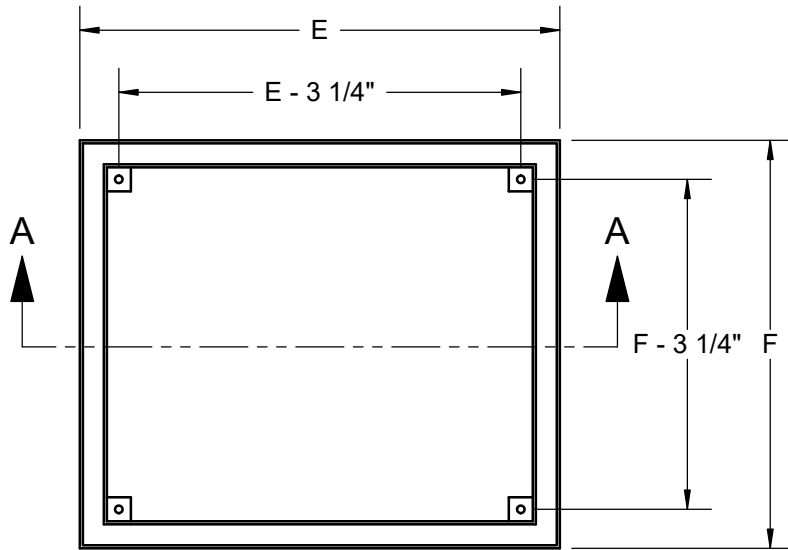
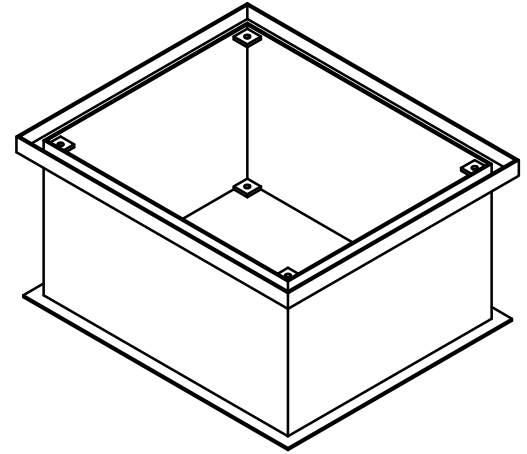
SPECIFICATION:

BOLT ON EXTENSION FOR THE 61800 SERIES INTERCEPTOR
 CONSTRUCTED OF MILD STEEL WITH ACID RESISTANT COATING.
 ALLOWS CUSTOMER TO EXTEND INTERCEPTOR AFTER FABRICATION.

BOLT ON EXTENSION

SERIES **61800-BXT**

SERIES	E	F
61804	17	17
61805	20	17
61806	22	18
61807	25	20
61808	29	22



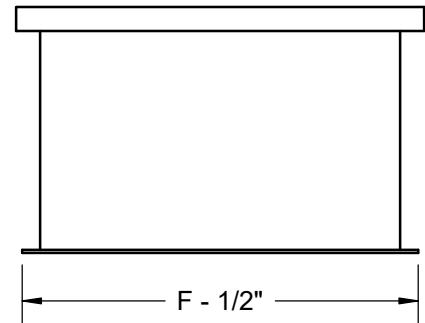
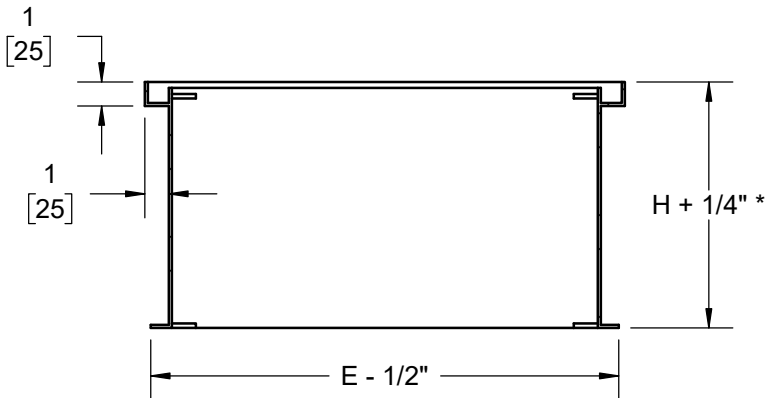
H = _____ INCHES

PRODUCT IS NON-CANCELABLE
 AND NON-RETURNABLE

NAME: _____

SIGNATURE: _____

DATE: _____



SECTION A-A

* 1/4" ADDER IS REQ'D SINCE THE COVER IS 1/4" THICK

-SS STAINLESS STEEL

WARNING: Cancer and Reproductive Harm - www.P65Warnings.ca.gov

DATE OF LAST CHANGE: 6/7/2022

DIMENSIONS ARE SUBJECT TO MANUFACTURERS
 TOLERANCES AND CHANGE WITHOUT NOTICE.
 WE CAN ASSUME NO RESPONSIBILITY FOR
 USE OF SUPERSEDED OR VOID DATA.



MICHIGAN CITY, INDIANA

NOTES