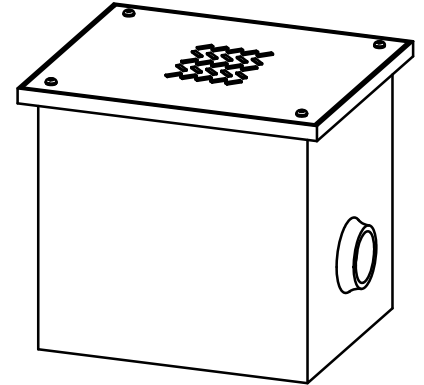
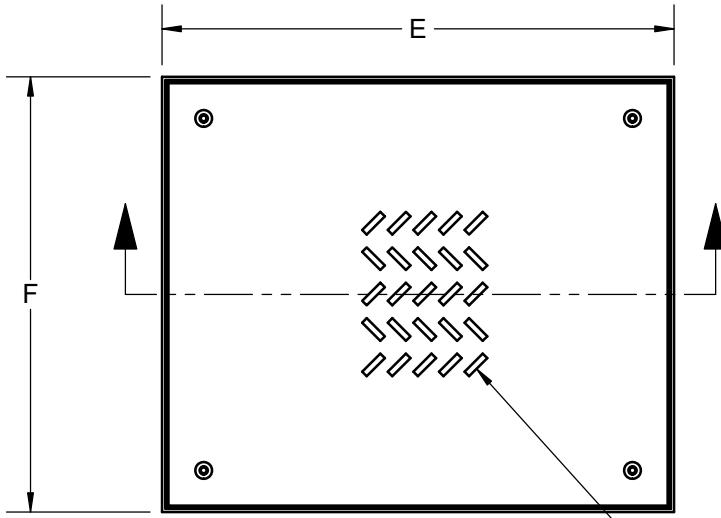


SPECIFICATION:

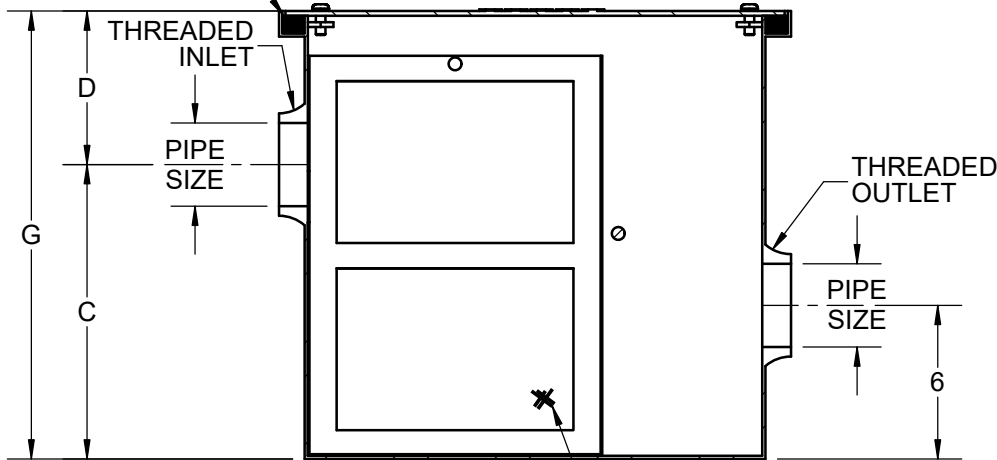
JOSAM 61800 SERIES LINT INTERCEPTOR WITH ACID RESISTANT COATING, NON SKID COVER, GALVANIZED STEEL BUCKET WITH STAINLESS STEEL SCREENS AND THREADED CONNECTIONS.

**SOLIDS INTERCEPTOR
LINT TRAP**

SERIES **61800-SS**



GASKET — NON-SKID COVER



PRODUCT IS NON-CANCELABLE AND NON-RETURNABLE
 NAME: _____
 SIGNATURE: _____
 DATE: _____

	TYPE NO.	FLOW RATE (GPM)	MAX NO. OF WASHERS	PIPE SIZE	C	D	E	F	G
	61805	70	7	3	12	6	20	17	18
	61806	200	20	4	14	6	22	18	20
	61807	300	30	6	16	6	25	20	22
	61808	400	40	6	18	6	29	22	24

-EXT EXTENSION 6" STANDARD, OR SPECIFY HEIGHT SPECIFY DIMENSIONS "D" _____ AND "G" _____

X -SS STAINLESS STEEL INTERCEPTOR AND BUCKET (TYPE 304)

* WILL INCREASE ACCORDINGLY WITH NEW "D" DIMENSION

DATE OF LAST CHANGE: 06/15/21

DIMENSIONS ARE SUBJECT TO MANUFACTURERS TOLERANCES AND CHANGE WITHOUT NOTICE. WE CAN ASSUME NO RESPONSIBILITY FOR USE OF SUPERSEDED OR VOID DATA.



MICHIGAN CITY, INDIANA

NOTES

WARNING: Cancer and Reproductive Harm - www.P65Warnings.ca.gov