

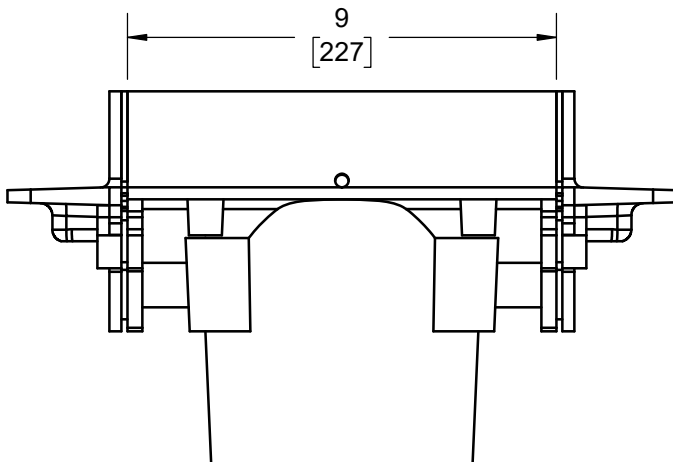
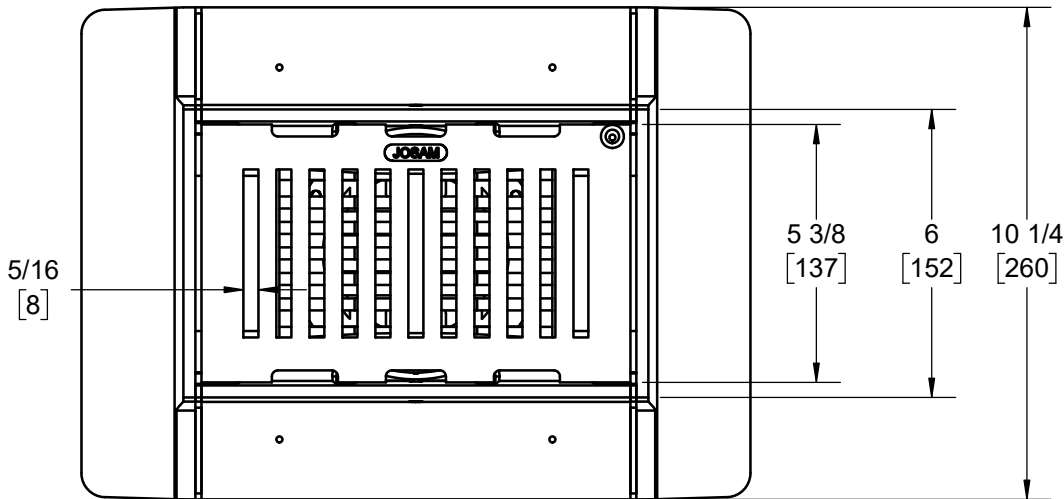
SPECIFICATION:

JOSAM 76000-Q107 SERIES COATED CAST IRON RECTANGULAR SECTIONAL TRENCH DRAIN (OUTLET SECTION ONLY) WITH HEAVY DUTY BODY SECTION AND INTEGRAL ANCHOR FLANGE, SECURED HEAVY DUTY SLOTTED GRATE WITH PERIMETER DRAINAGE SLOTS, 5/16" X 3-1/2" GRATE OPENINGS SECONDARY LOOSE-SET DOME STRAINER AND BOTTOM INSIDE CAULK OUTLET CONNECTION AND SEDIMENT BUCKET

**TRENCH DRAIN
(SUPER FLO)**

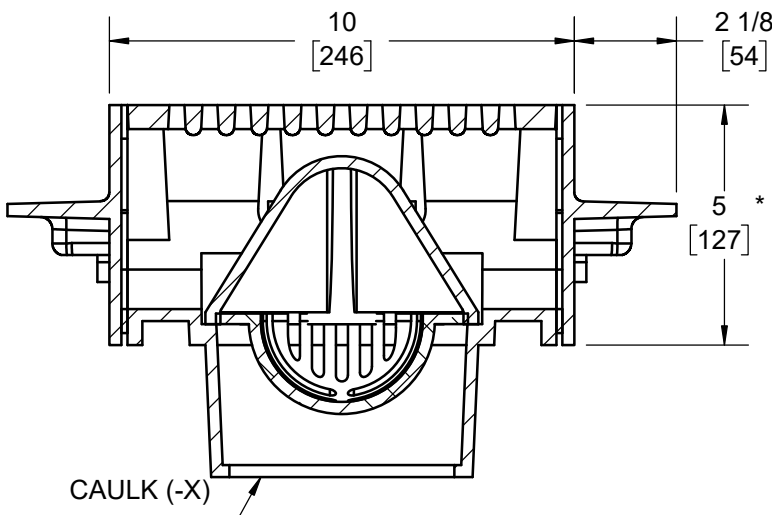
SERIES **76000-Q107**

MEETS ADA AND HEEL PROOF

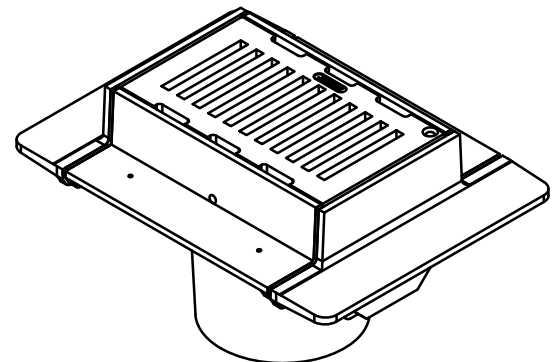


TYPE	PIPE SIZE
76004-Q107	4

-1	NIKALOY TOP
-2	S.F. BRONZE TOP
-40	GALVANIZED C.I. PARTS



*ADD 1/4" WHEN FURNISHED WITH NIKALOY OR BRONZE TOP



JIFFEE GASKET (OPTIONAL)

PRODUCT IS NON-CANCELABLE AND NON-RETURNABLE

NAME: _____ SIGNATURE: _____ DATE: _____

DATE OF LAST CHANGE: 05/11/21

DIMENSIONS ARE SUBJECT TO MANUFACTURERS TOLERANCES AND CHANGE WITHOUT NOTICE. WE CAN ASSUME NO RESPONSIBILITY FOR USE OF SUPERSEDED OR VOID DATA.

JOSAM
MICHIGAN CITY, INDIANA

NOTES