

**SPECIFICATION:**

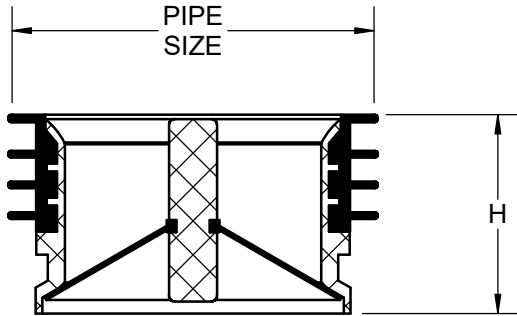
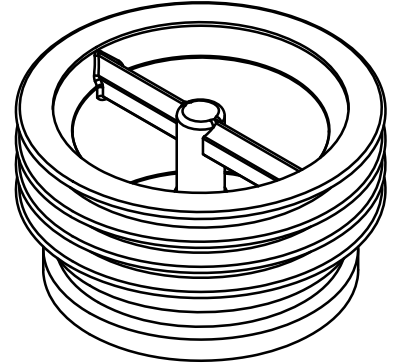
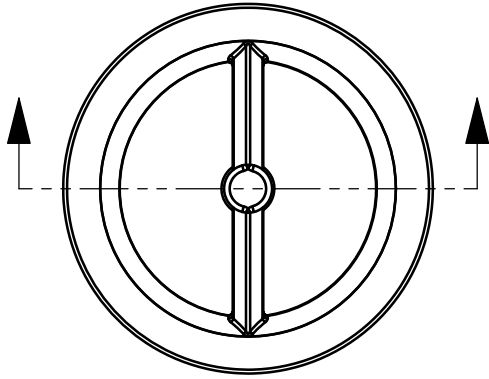
JOSAM SERIES 88240 TRAP SEAL INSERT TO PROVIDE A WATERLESS TRAP SEAL AGAINST ODORS AND PESTS.

ASSE 1072, ICC, UPC

**TRAP SEAL INSERT  
-TSI OPTION FOR DRAINS**

SERIES **88240**

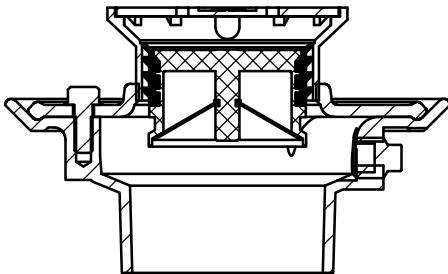
PRODUCT COMPLIES WITH CALIFORNIA PROPOSITION 65 REQUIREMENTS.



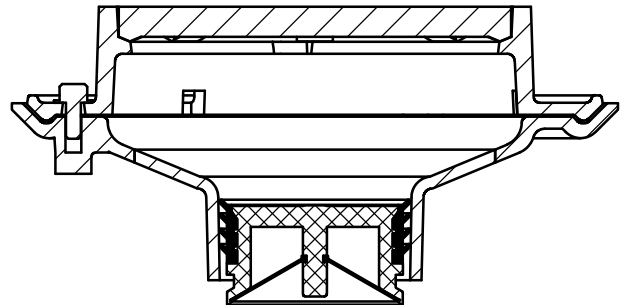
	PIPE SIZE	MODEL	H
	2"	88242	2 [51]
	3"	88243	2 [51]
	3-1/2"	88243-1/2	2 [51]
	4"	88244	2 [51]

**INSTALLATIONS**

**30000 SERIES DRAINS**  
88243-1/2 FITS STRAINER BODY



**OTHER DRAINS**  
88242, 88243, AND 88244 FIT  
DRAIN OUTLET OR CONNECTED PIPE



WARNING: Cancer and Reproductive Harm - www.P65Warnings.ca.gov

DATE OF LAST CHANGE: 07/13/23 BT

DIMENSIONS ARE SUBJECT TO MANUFACTURERS TOLERANCES AND CHANGE WITHOUT NOTICE. WE CAN ASSUME NO RESPONSIBILITY FOR USE OF SUPERSEDED OR VOID DATA.



MICHIGAN CITY, INDIANA

NOTES