

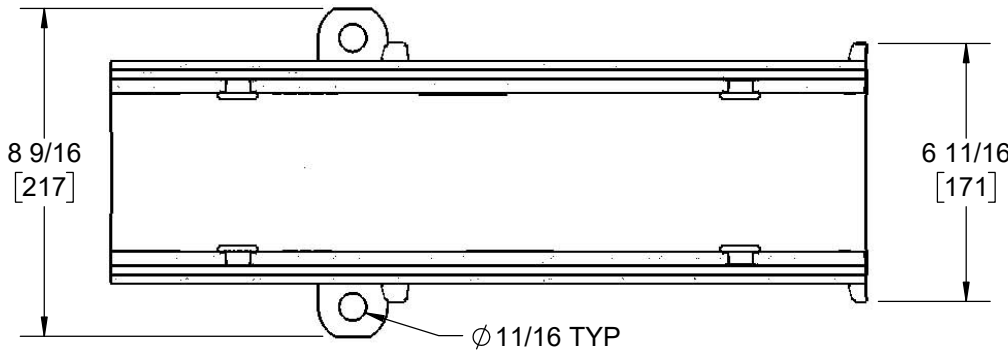
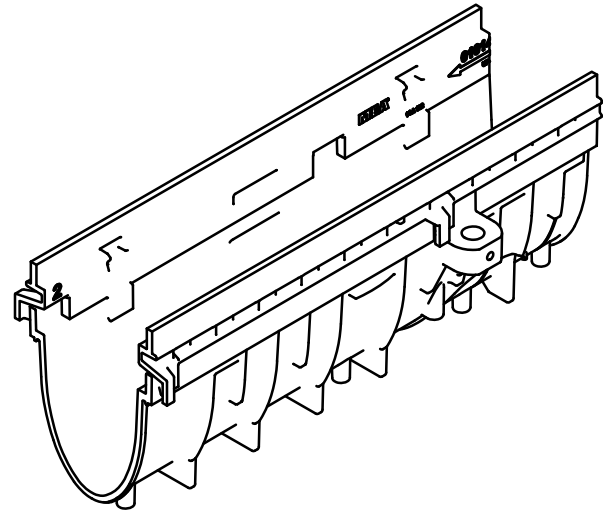
SPECIFICATION:

JOSAM 100CXX-12 SERIES CHANNELS SHALL BE 19.7" (500) LONG WITH 4" (102) INTERNAL WIDTH AND RADIUSD BOTTOM. INTERCONNECTING CHANNEL SECTIONS SHALL BE MADE OF SMC/GRP (SHEET MOLDING COMPOUND/GLASS REINFORCED POLYESTER) MATERIAL AND AVAILABLE WITH AND WITHOUT SLOPE. CHANNEL SUPPORT BRACKETS CAPABLE OF ACCEPTING RE-BAR, END OUTLETS, BOTTOM OUTLETS, ENDCAPS, AND CORNER/T CONNECTORS SHALL BE AVAILABLE. GRATE OPTIONS FOR LOADING CLASSES A-E WITH PRESSURE OR LOCKING BOLT SECURING DEVICES AND DUCTILE IRON RAIL TO PROTECT CHANNEL EDGES SHALL BE AVAILABLE.

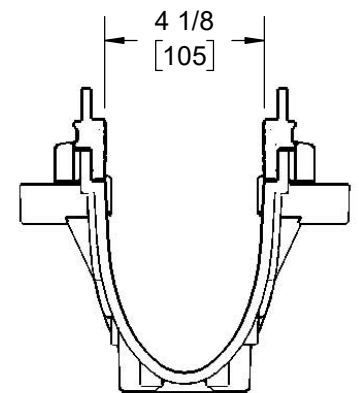
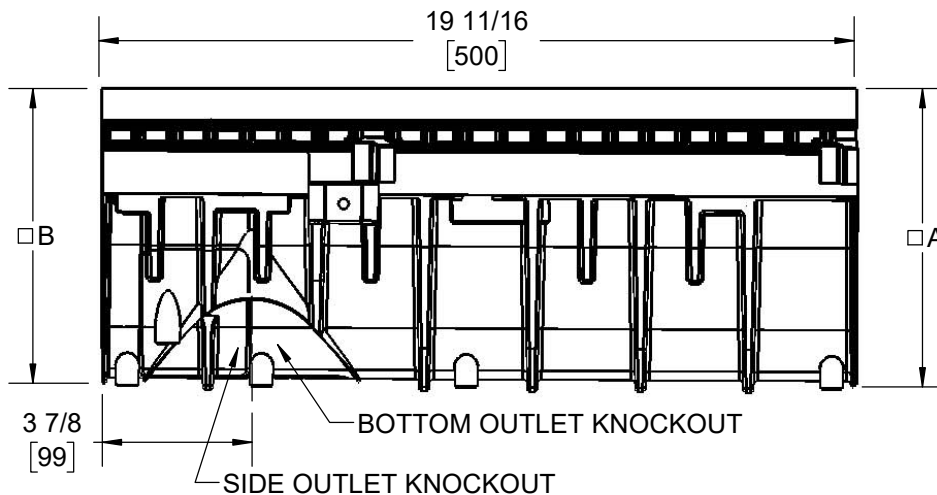
**PRO-PLUS
4" INTERNAL WIDTH**

SERIES 100CXX-12

PART NUMBER	DIM "A"	DIM "B"	WEIGHT (LBS)
100C-12	6.5	6.5	4.6
100C01-12	7.6	7.7	6.2
100C02-12	7.8	7.9	6.3
100C03-12	8.0	8.1	6.4
100C04-12	8.2	8.3	6.5
100C05-12	8.4	8.5	6.5
100C05N-12	8.5	8.5	6.6
100C06-12	8.6	8.7	6.7
100C07-12	8.8	8.9	6.7
100C08-12	9.0	9.1	6.9
100C09-12	9.2	9.3	7.0
100C10-12	9.4	9.5	7.1
100C11-12	9.6	9.7	8.6
100C12-12	9.8	9.9	8.7
100C13-12	10.0	10.1	8.8
100C14-12	10.2	10.3	8.9
100C15-12	10.4	10.5	9.0
100C15N-12	10.5	10.5	9.1
100C16-12	10.6	10.7	9.1
100C17-12	10.8	10.9	9.2
100C18-12	11.0	11.1	9.3
100C19-12	11.2	11.3	9.4
100C20-12	11.4	11.5	9.5



□ NOTE:
ADD 1.2" WHEN
FURNISHED WITH
DI FRAME 152431



U.S. Patent No. 7,736,092

WARNING: Cancer and Reproductive Harm - www.P65Warnings.ca.gov

DATE OF LAST CHANGE: 8/29/19

DIMENSIONS ARE SUBJECT TO MANUFACTURERS TOLERANCES AND CHANGE WITHOUT NOTICE. WE CAN ASSUME NO RESPONSIBILITY FOR USE OF SUPERSEDED OR VOID DATA.

JOSAM
MICHIGAN CITY, INDIANA

NOTES