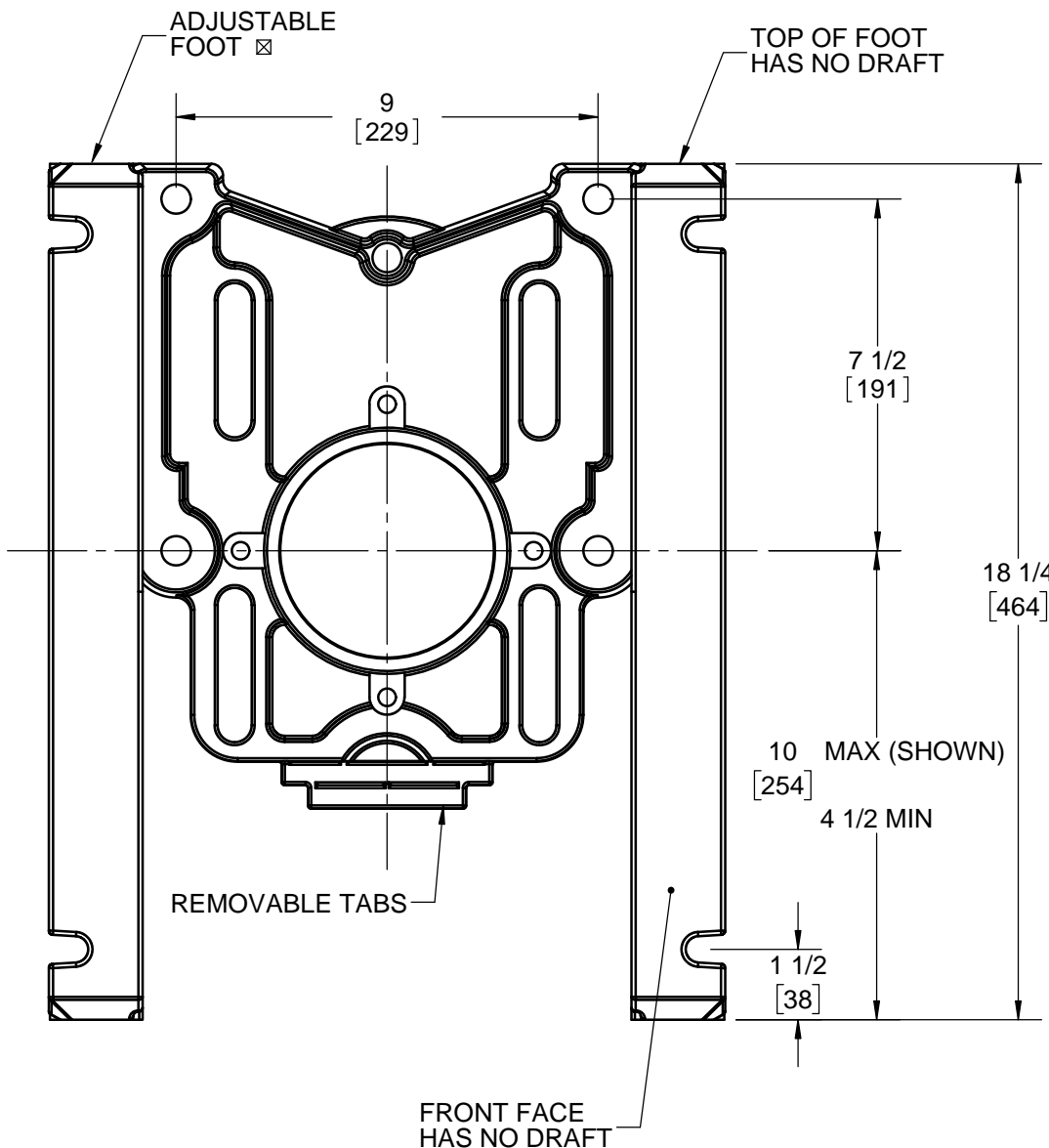
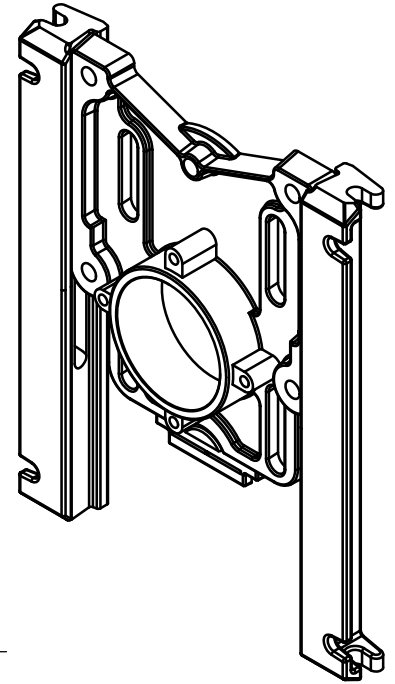
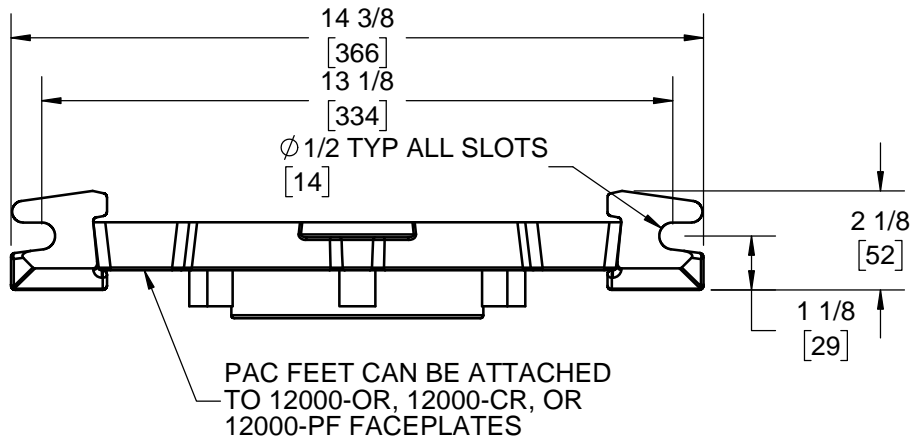


SPECIFICATION:

JOSAM 12000-PAC SERIES COATED CAST IRON ADJUSTABLE CARRIER BODY, INVERTIBLE FOR SIPHON JET OR BLOWOUT CLOSETS, WITH TWO PAC FEET CAPABLE OF ATTACHING TO ANGLE IRON OR UNISTRUT FOR PRE-FAB CONSTRUCTION

**PREASSEMBLED CARRIER
CARRIER ASSEMBLY**

SERIES **12000-PAC**



NOTE:
SEE SPECIFICATION
FROM CARRIER FITTING
FOR SYSTEM OPTIONS

☒ RECOMMEND FEET BE SECURED TO FLOOR WITH 1/2" BOLTS AND ANCHORS (BY OTHERS).

WARNING: Cancer and Reproductive Harm - www.P65Warnings.ca.gov

DATE OF LAST CHANGE: 5/25/18

DIMENSIONS ARE SUBJECT TO MANUFACTURERS TOLERANCES AND CHANGE WITHOUT NOTICE. WE CAN ASSUME NO RESPONSIBILITY FOR USE OF SUPERSEDED OR VOID DATA.



MICHIGAN CITY, INDIANA

NOTES