

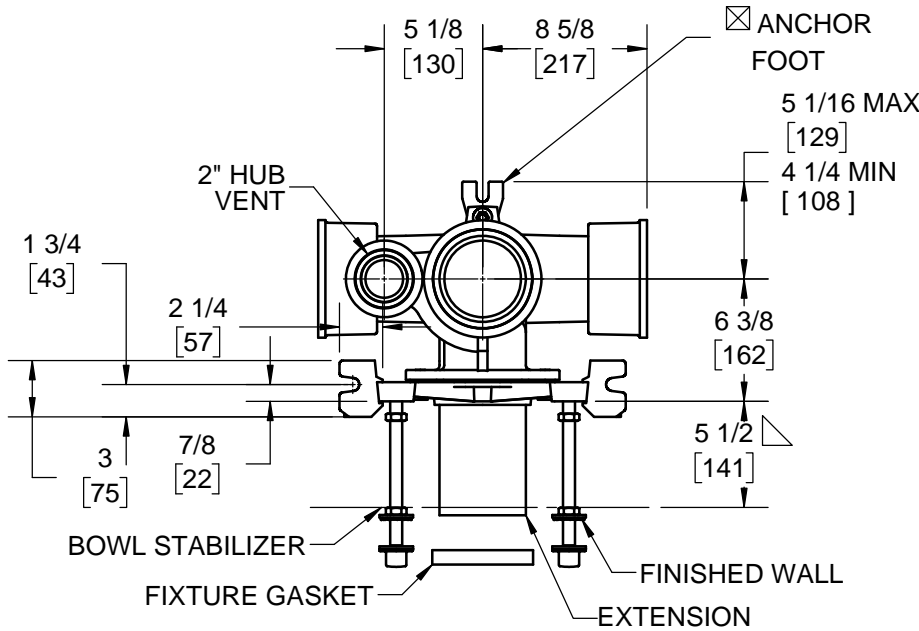
SPECIFICATION:

JOSAM 12704-HS-HD4 SERIES COATED CAST IRON SINGLE VERTICAL 4" HUB & SPIGOT FITTING DOUBLE WITH 4" HUB & SPIGOT BRANCH INLETS AND 2" HUB & SPIGOT LEFT-HAND OFFSET VENT. ADJUSTABLE CARRIER BODY, INVERTIBLE FOR SIPHON JET OR BLOWOUT CLOSETS, WITH ABS EXTENSION WITH INTEGRAL TEST CAP. PYLON FEET, ANCHOR FOOT, PLATED HARDWARE AND NEOPRENE FIXTURE GASKET.

CLOSET CARRIER
VERTICAL WITH LEFT
HAND VENT

SERIES 12704-HS-HD4

FORMERLY 12274A SERIES



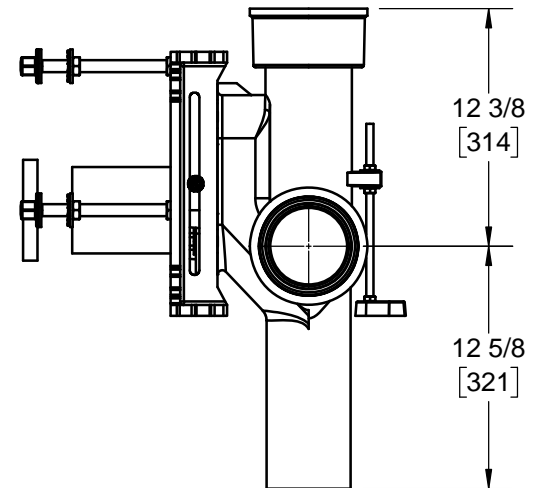
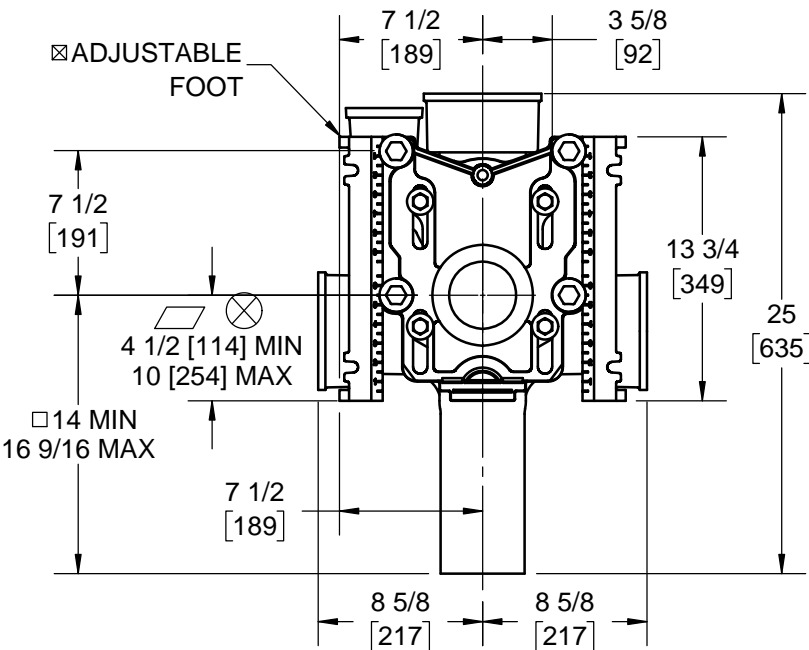
△ FOR DIMENSION SHORTER THAN 5-1/2" (1" MIN) CUT EXTENSION. FOR LONGER EXTENSION (10-1/2" MAX) SPECIFY (-10)

☒ RECOMMEND FEET BE SECURED TO FLOOR WITH 1/2" BOLTS AND ANCHORS (BY OTHERS).

⊗ FOR SIPHON JET ROUGHING OVER 6" OR BLOWOUT ROUGHING OVER 12-1/2" SPECIFY ON ORDER.

SIPHON JET DIMS SHOWN. FOR BLOWOUT DIMS, USE:

▱ MIN 11 & MAX 16-1/2"
 □ MIN 15-11/16" & MAX 18-1/4"



	-XSD	EXTRA SPECIAL-DUTY 1,000 LB CARRIER
	-PF	PYLON FOOT, STD.
	-OR	O-RING CARRIER
	-SD	SPECIAL-DUTY 500 LB. CARRIER
X	-HS	HUB & SPIGOT
X	-HD4	DOUBLE 4" HUB BRANCHES
	-VP	VANDAL-PROOF TRIM
	-1	POSITIONING FRAME

	-6	SUPPLY PIPE SUPPORT (SPECIFY TYPE OF PIPE)
	-10	ABS EXTENSION THROUGH 10-1/2" WALL
	-24	FLOOR MOUNTED BACK OUTLET CHINA BOWL
	-30	CAST IRON ADJ. EXTENSION W/ CONNECTOR
	-30-2	CAST IRON ADJ. EXTENSION W/ CONNECTOR & TEST CAP
	-32	CARRIER FOR WIDE CHASE INSTALLATIONS
	-35	CARRIER FOR WHEELCHAIR HIGH ROUGH

WARNING: Cancer and Reproductive Harm - www.P65Warnings.ca.gov

DATE OF LAST CHANGE: 5/30/18

DIMENSIONS ARE SUBJECT TO MANUFACTURERS TOLERANCES AND CHANGE WITHOUT NOTICE. WE CAN ASSUME NO RESPONSIBILITY FOR USE OF SUPERSEDED OR VOID DATA.

JOSAM
 MICHIGAN CITY, INDIANA

NOTES