

SPECIFICATION:

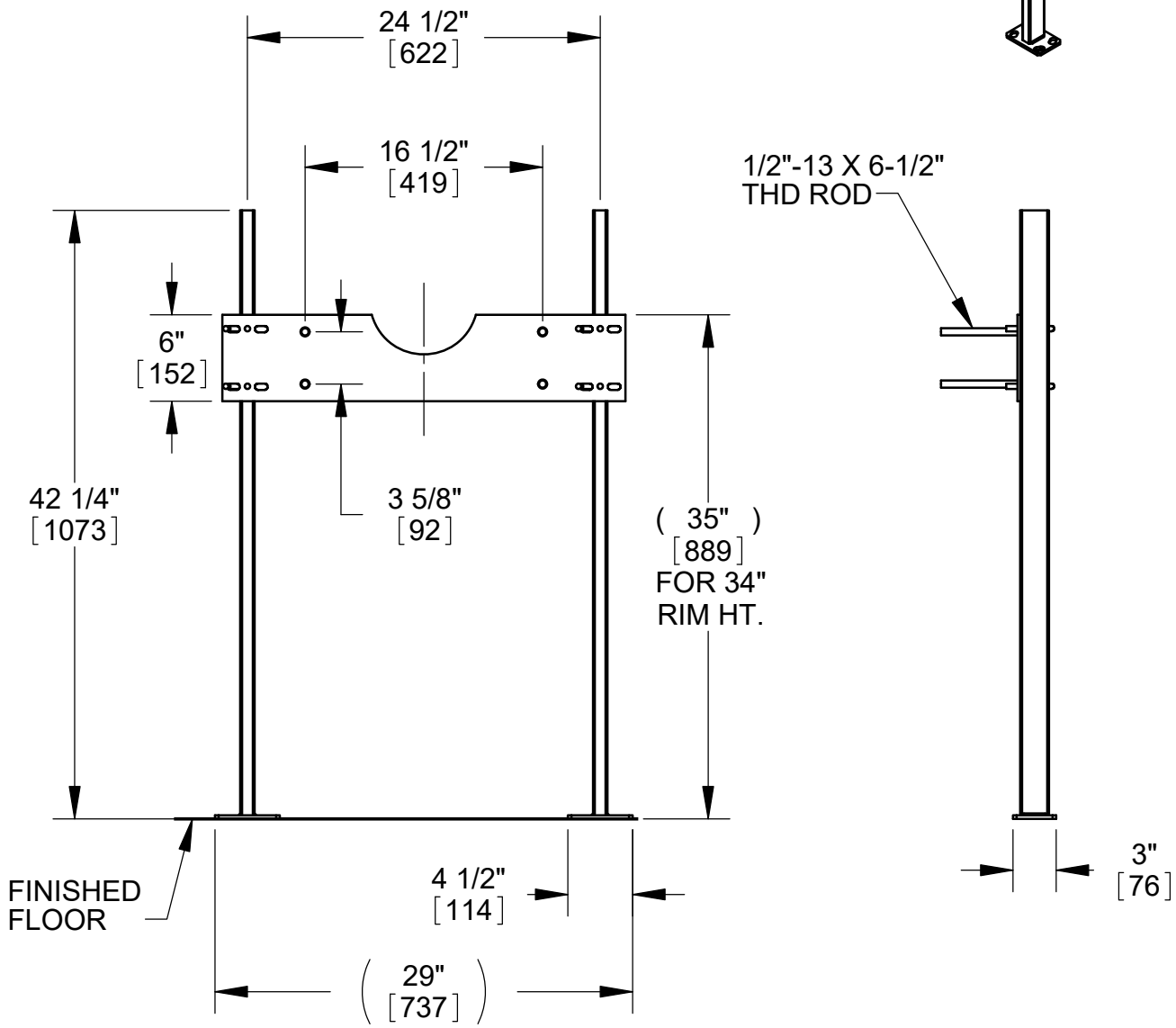
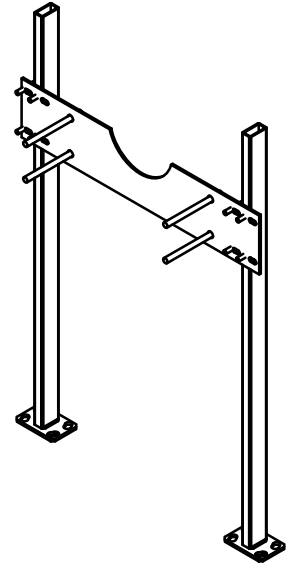
JOSAM SERIES 17550 FLOOR-MOUNTED, SINGLE LAVATORY CARRIER WITH HANGER PLATE, ADJUSTABLE SUPPORTING RODS, STRUCTURAL UPRIGHTS AND WELDED FEET.

LAVATORY CARRIER

**FLOOR-MOUNT
HANGER PLATE**

SERIES **17550-M1645**

RECOMMEND FEET BE SUCURED TO FLOOR WITH 1/2" BOLTS AND ANCHORS BY OTHERS



FOR BRADLEY 6175

WARNING: Cancer and Reproductive Harm - www.P65Warnings.ca.gov

DATE OF LAST CHANGE: 06/08/18
 DIMENSIONS ARE SUBJECT TO MANUFACTURERS TOLERANCES AND CHANGE WITHOUT NOTICE. WE CAN ASSUME NO RESPONSIBILITY FOR USE OF SUPERSEDED OR VOID DATA.

JOSAM
 MICHIGAN CITY, INDIANA

NOTES