

SPECIFICATION:

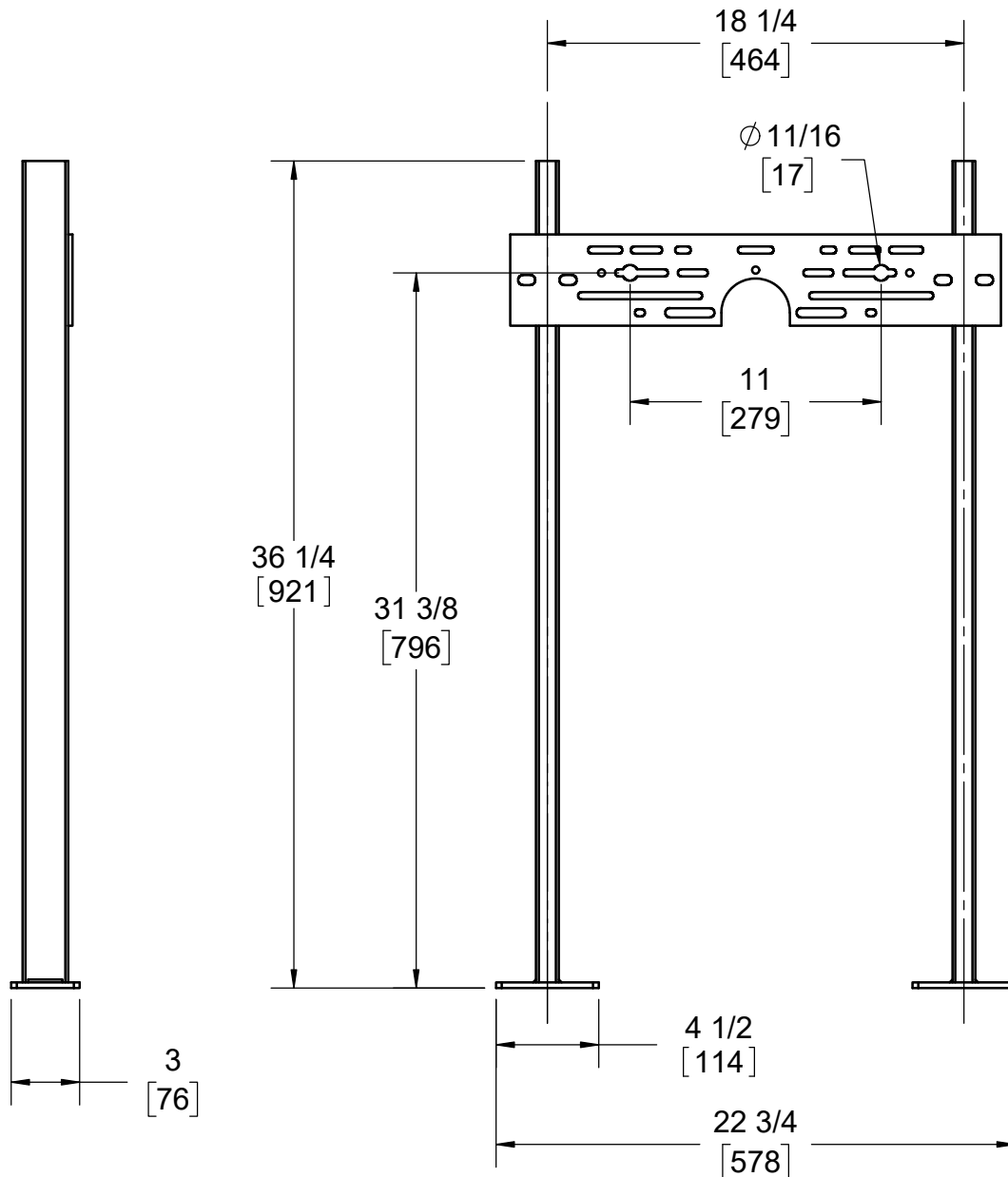
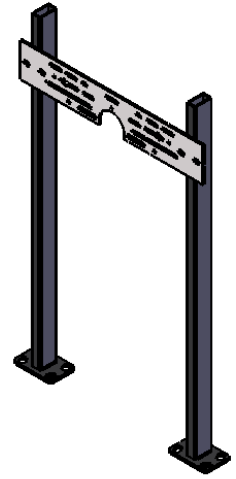
JOSAM 17550-M1728 SERIES FLOOR MOUNTED SINGLE SINK CARRIER WITH BEARING PLATES, ADJUSTABLE SUPPORTING RODS, STRUCTURAL UPRIGHTS AND WELDED FEET.

**LAV CARRIER
FLOOR-MOUNT
BEARING PLATE**

SERIES **17550-M1728**

NOTES:

1. HARDWARE SUPPLIED NOT SHOWN.
2. FOR DURAVIT 045460 / 045600.
3. RECOMMEND FEET TO BE SECURED TO FLOOR WITH 1/2" BOLTS AND ANCHORS BY OTHERS.



WARNING: Cancer and Reproductive Harm - www.P65Warnings.ca.gov

DATE OF LAST CHANGE: 05/29/18

DIMENSIONS ARE SUBJECT TO MANUFACTURERS TOLERANCES AND CHANGE WITHOUT NOTICE. WE CAN ASSUME NO RESPONSIBILITY FOR USE OF SUPERSEDED OR VOID DATA.



MICHIGAN CITY, INDIANA

NOTES