

SPECIFICATION:

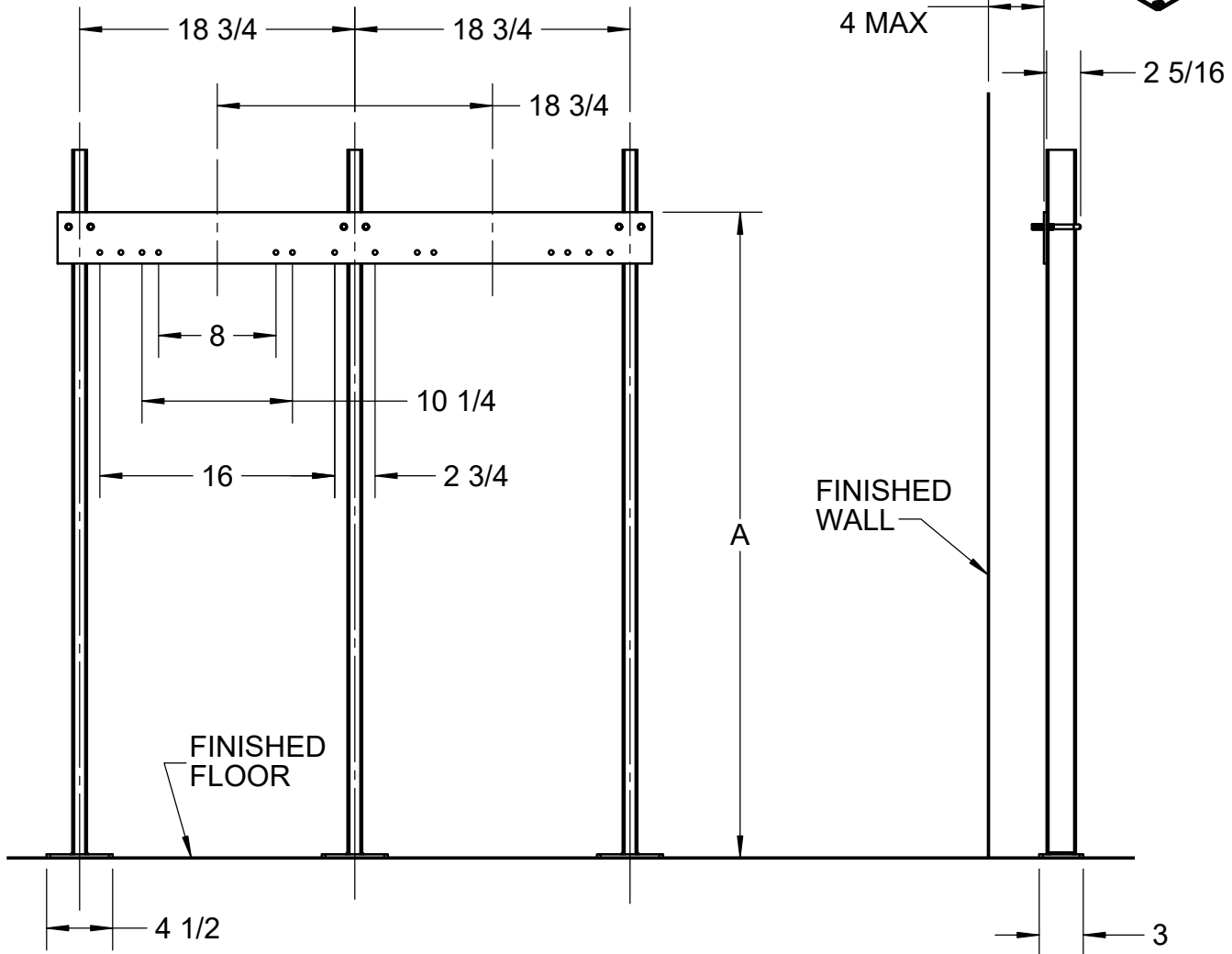
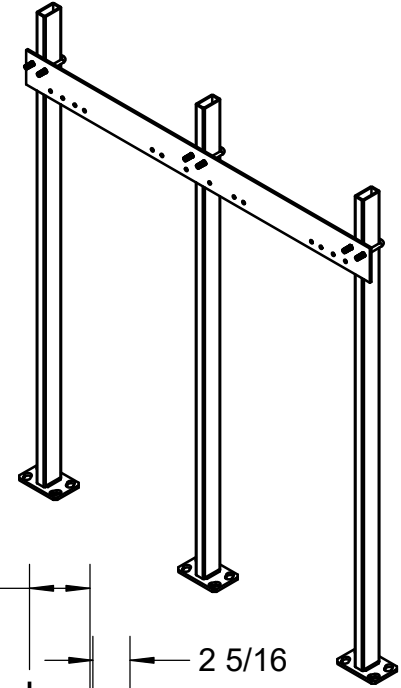
JOSAM 17550-WCBL-M1663 SERIES FLOOR MOUNTED CARRIER WITH HANGER PLATES, ADJUSTABLE SUPPORTING RODS AND WELDED FOOT STRUCTURAL UPRIGHTS. DESIGNED TO FIT HALSEY TAYLOR HRFESBP AND HRFSEBP AND ELKAY EDFP217C AND EDFPVR217C BI-LEVEL BARRIER-FREE FOUNTAINS.

**DRINKING FOUNTAIN CARRIER
SPECIAL**

SERIES 17550-WCBL-M1663

FIXTURE	"A" DIMENSION
HALSEY TAYLOR HRFESBP	46.38"
HALSEY TAYLOR HRFSEBP	46.38"
ELKAY EDFP217C	46.25"
ELKAY EDFP217FPK	46.25"
ELKAY EDFPVR217C	46.25"

**NOTE:
NOT ALL HARDWARE IS SHOWN**



WARNING: Cancer and Reproductive Harm - www.P65Warnings.ca.gov

DATE OF LAST CHANGE: 8/27/21

DIMENSIONS ARE SUBJECT TO MANUFACTURERS TOLERANCES AND CHANGE WITHOUT NOTICE. WE CAN ASSUME NO RESPONSIBILITY FOR USE OF SUPERSEDED OR VOID DATA.

JOSAM
MICHIGAN CITY, INDIANA

NOTES