

17560-M1576

Fountain Carrier

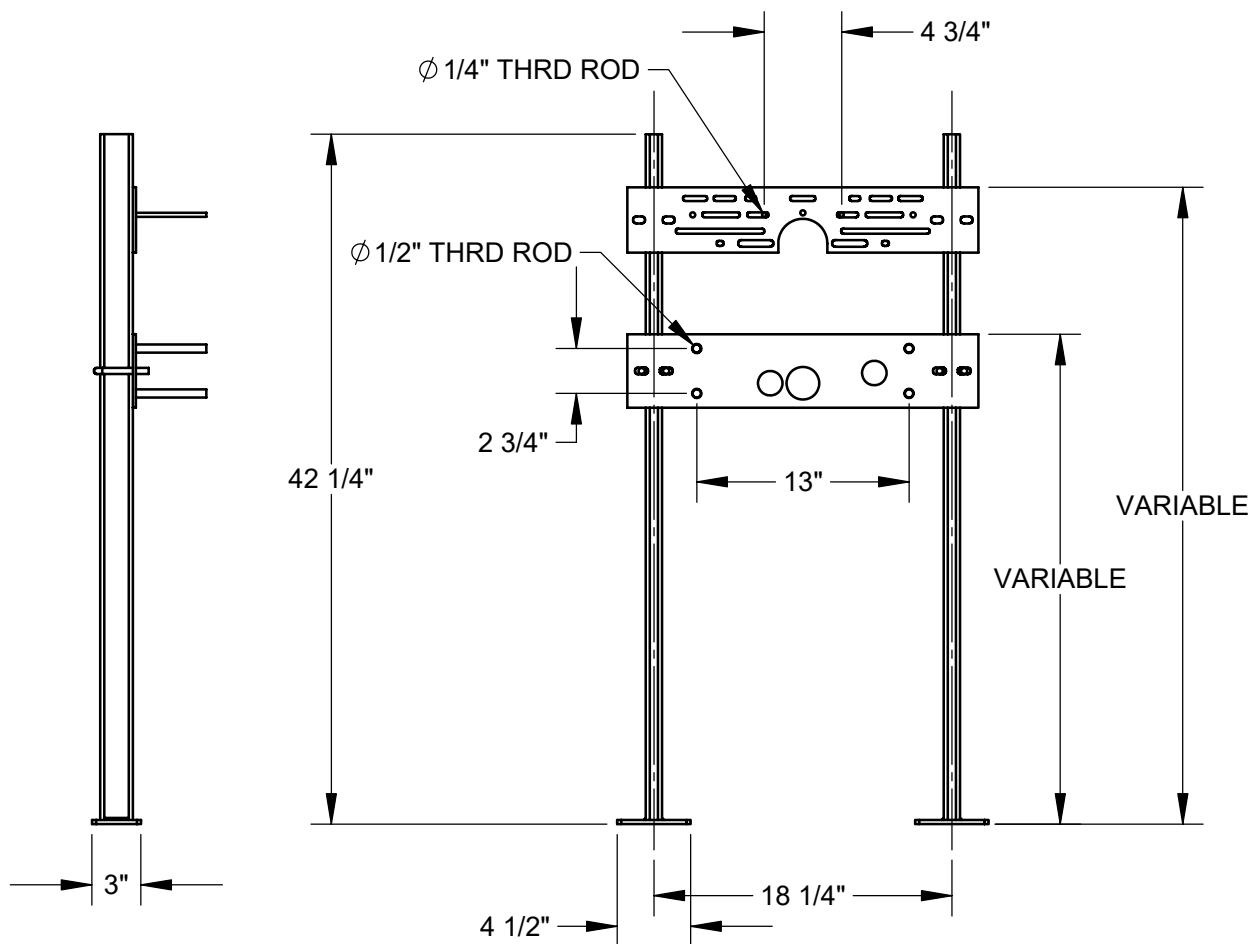
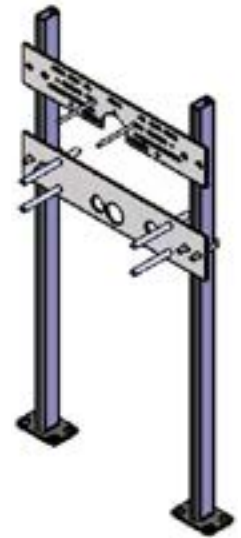
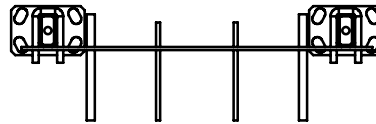
Floor-Mount Bearing Plate

Specification

Josam 17560 series floor mounted single fountain carrier with bearing plates, adjustable supporting rods, structural uprights and welded feet.

Notes:

1. Hardware supplied not shown.
2. For acorn 2012 fountain.
3. Recommend feet to be secured to floor with 1/2" bolts and anchors by others.



Josam product specifications in U.S. customary units are approximate and provided for reference only. For precise measurements, please contact Josam Technical Support. Josam reserves the right to change or modify product design, construction, specifications, or materials without prior notice and without incurring any obligation to make such changes and modifications on Josam products previously or subsequently sold.

Notes:



A WATTS Brand