

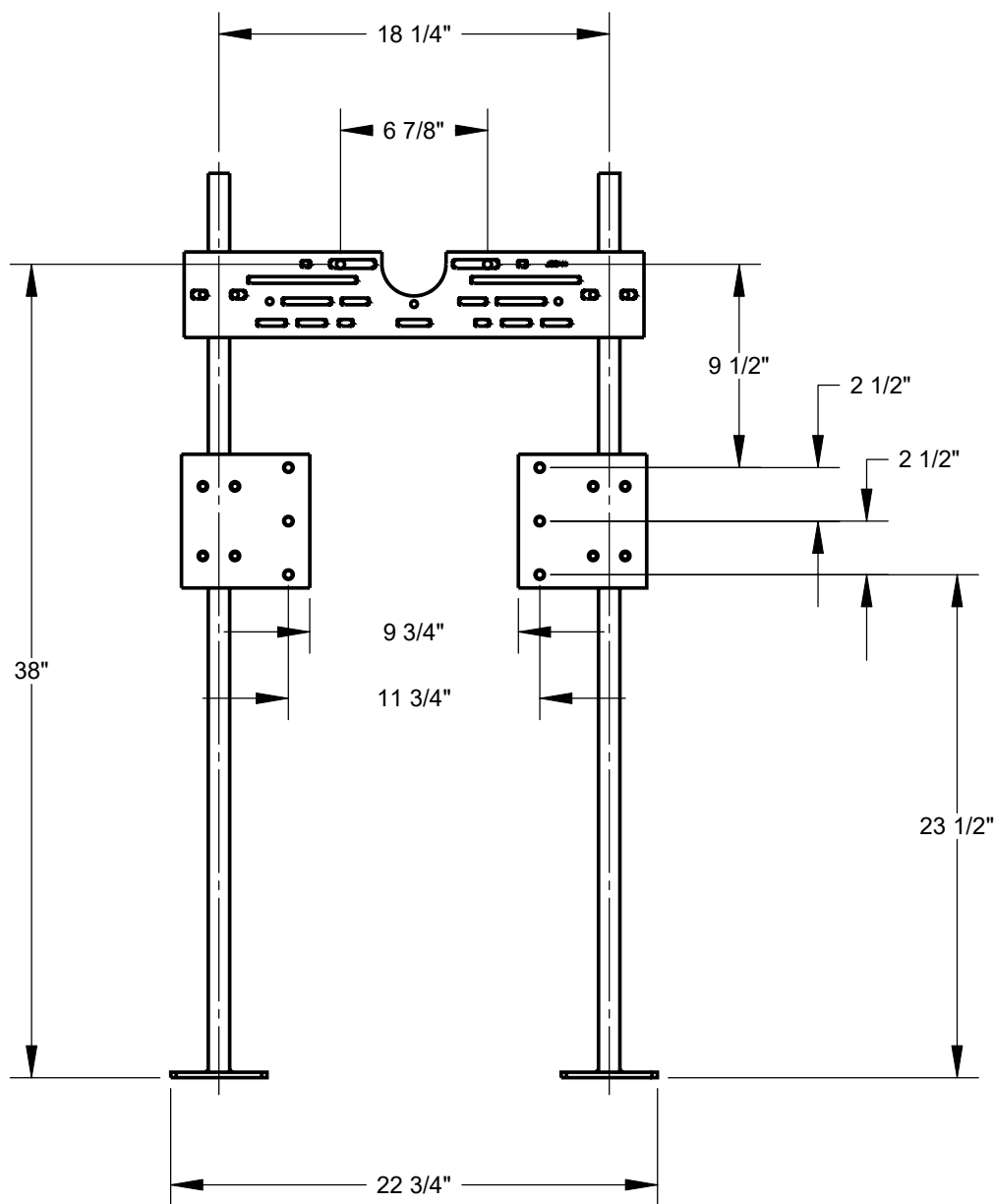
# 17560-M1637

## Fixture Carrier

### Special

### Specification

Josam Series 17560 series floor mounted fixture carrier with hanger and bearing plates, adjustable supporting rods, structural uprights and welded feet.



Josam product specifications in U.S. customary units are approximate and provided for reference only. For precise measurements, please contact Josam Technical Support. Josam reserves the right to change or modify product design, construction, specifications, or materials without prior notice and without incurring any obligation to make such changes and modifications on Josam products previously or subsequently sold.

Notes:



A WATTS Brand