

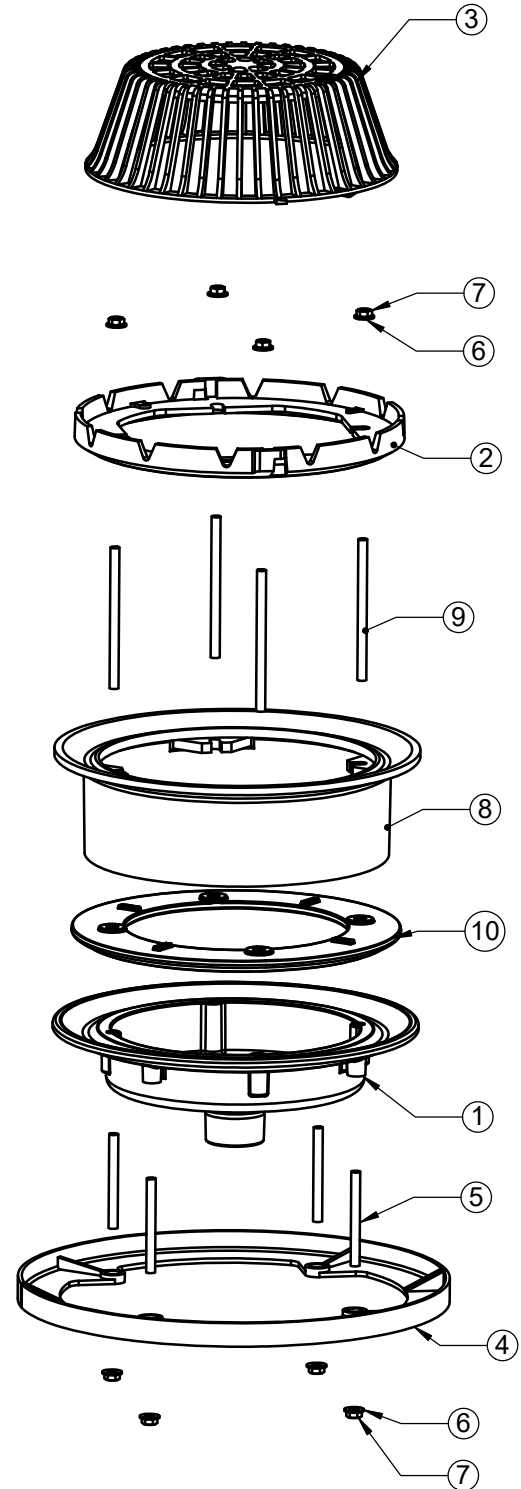
**SPECIFICATION:**

JOSAM SERIES 21500-10-4-RP REPLACEMENT PARTS GUIDE.

**ROOF DRAIN  
REPLACEMENT PARTS**

SERIES **21500-10-4-RP**

ITEM NO.	PART NUMBER	DESCRIPTION	QTY.
1	-----	BODY	1
2	029269	CLAMP RING	1
3	029273	POLYPROPYLENE DOME	1
4	029704	OPTIONAL DECK CLAMP (-1)	2
5	H381677E8	ROD THRD 4" - 3/8-16	4
6	H1000WB98	7/16" WASHER	8
7	H381658C8	3/8-16 NUT	8
8	029705	4" EXTENSION COLLAR	1
9	H381678C8	ROD THRD 6" - 3/8-16	4
10	041952	SECONDARY CLAMP RING	1



DATE OF LAST CHANGE: 06/27/17

DIMENSIONS ARE SUBJECT TO MANUFACTURERS TOLERANCES AND CHANGE WITHOUT NOTICE. WE CAN ASSUME NO RESPONSIBILITY FOR USE OF SUPERSEDED OR VOID DATA.

**JOSAM COMPANY**  
MICHIGAN CITY, INDIANA

NOTES