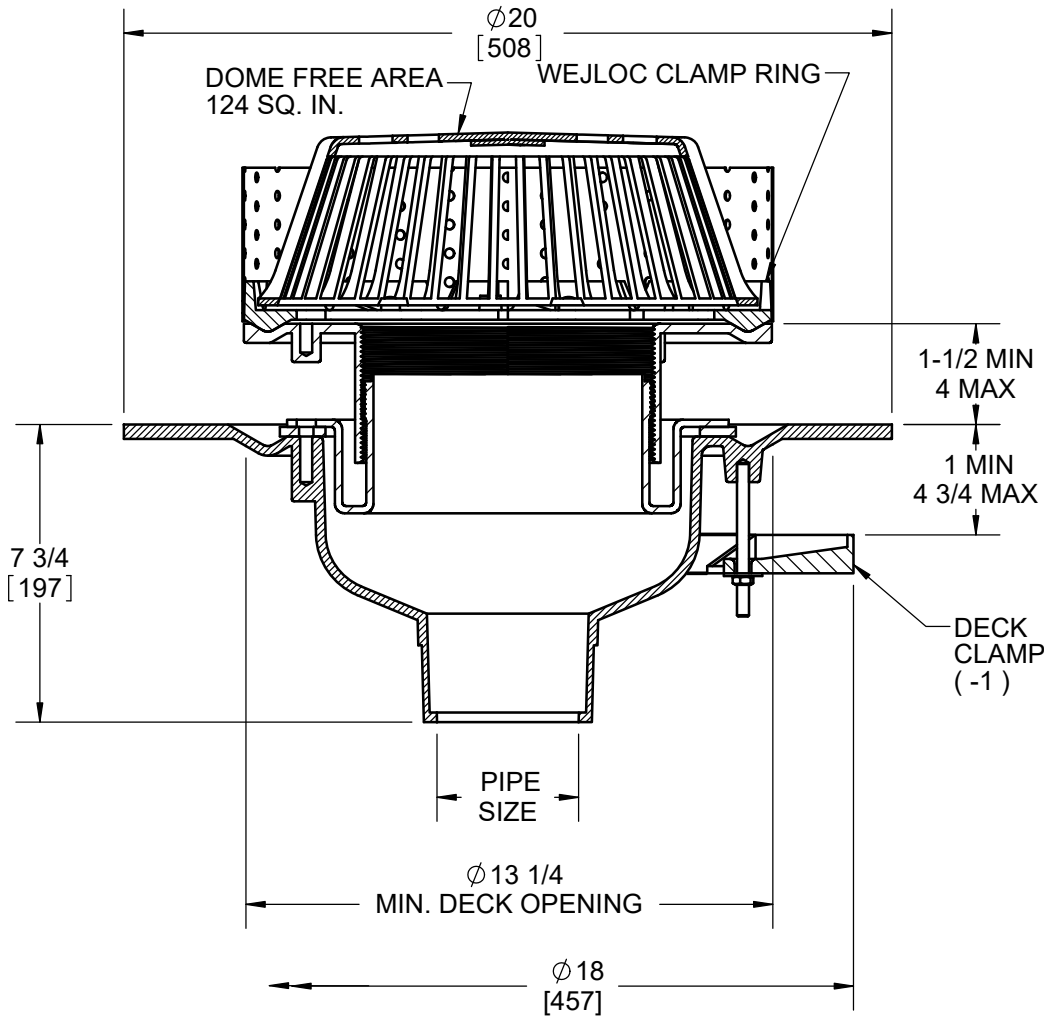


SPECIFICATION:

JOSAM 21500-6-AE-19 SERIES COATED CAST IRON DRAIN, LARGE POLYPROPYLENE LOCKING DOME, WEJLOC® NON-PUNCTURING CLAMP RING WITH INTEGRAL GRAVEL STOP, LARGE SUMP WITH EXTRA-WIDE ROOF FLANGE AND BOTTOM OUTLET INSIDE CAULK CONNECTION, ADJUSTABLE EXTENSION AND PERFORATED STAINLESS STEEL GRAVEL GUARD.

ROOF DRAIN
LARGE SUMP, WIDE FLANGE,
ADJ. EXT., PERF GRAV GRD

SERIES 21500-6-AE-19



** -10 EXTENSION 4" STANDARD

* -16 & -17 CANNOT BE FURNISHED TOGETHER

	2"	PIPE SIZE		-16*	INTERNAL WATERGUARD
	3"	PIPE SIZE		-17*	2" HIGH SOLID CLAMPING COLLAR
	4"	PIPE SIZE	X	-19	CLAMP COLLAR W/PERF. STAINLESS GRAVEL GUARD
	5"	PIPE SIZE		-20	GALVANIZED CAST IRON PARTS
	6"	PIPE SIZE		-22	CAST IRON DOME
				-22 -21	GALVANIZED CAST IRON DOME ONLY
X	-X	INSIDE CAULK OUTLET		-23	ROUGH BRONZE DOME
X	-6	EXTRA WIDE FLANGE DRAIN BODY		-26	ALUMINUM DOME
				-33	STAINLESS STEEL MESH-COVERED DOME
X	-AE	THREADED LEVELLEEZ® ADJ. EXT.		-66	NO-HUB OUTLET
	-IRMA	PERFORATED STAINLESS STEEL EXT.			
				-VP	VANDAL-PROOF DOME
	-1	DECK CLAMP ASSEMBLY			
	-10	FIXED EXT. COLLAR, CAST IRON (SPECIFY HEIGHT **)			
	-10-20	FIXED EXT. COLLAR, GALVANIZED (SPECIFY HEIGHT **)			

WARNING: Cancer and Reproductive Harm - www.P65Warnings.ca.gov

DATE OF LAST CHANGE: 02/11/20

DIMENSIONS ARE SUBJECT TO MANUFACTURERS TOLERANCES AND CHANGE WITHOUT NOTICE. WE CAN ASSUME NO RESPONSIBILITY FOR USE OF SUPERSEDED OR VOID DATA.

JOSAM
 MICHIGAN CITY, INDIANA

NOTES