

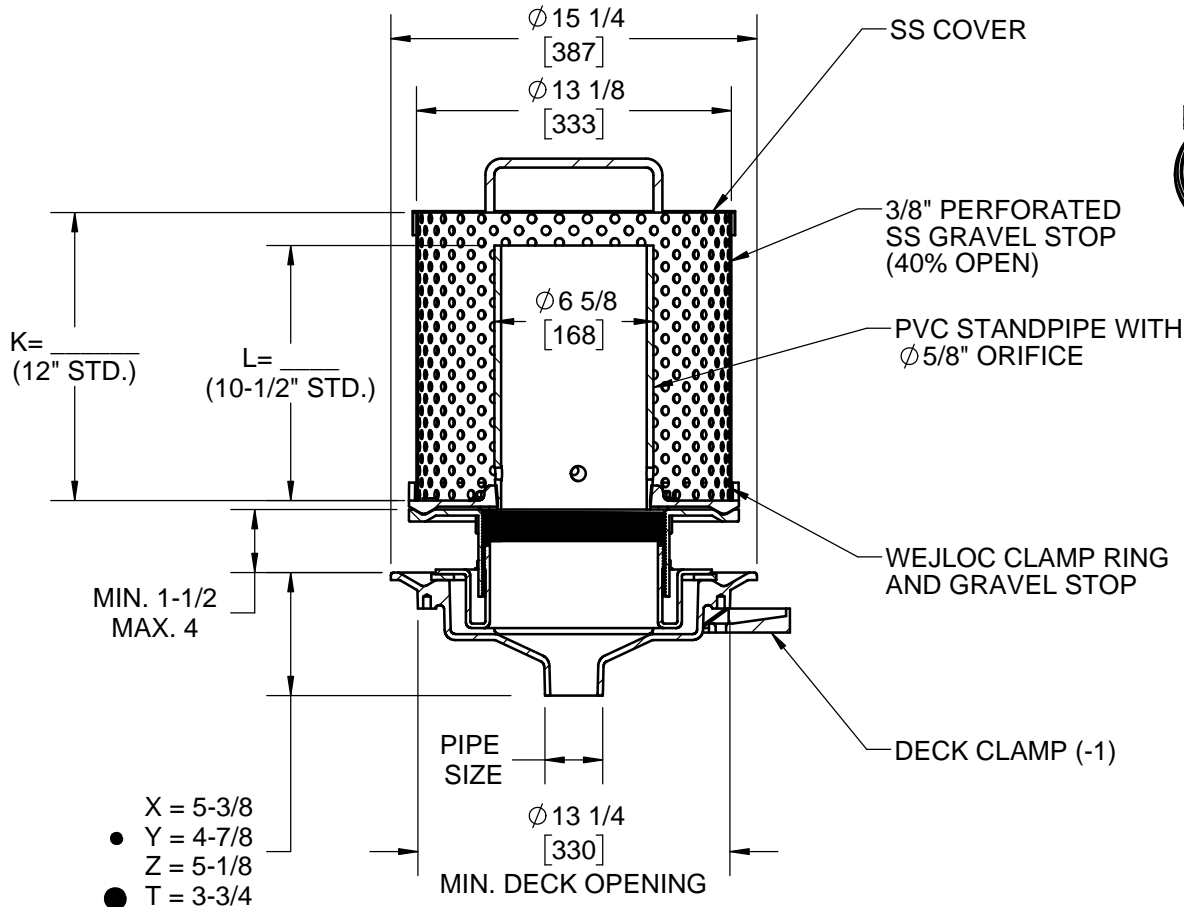
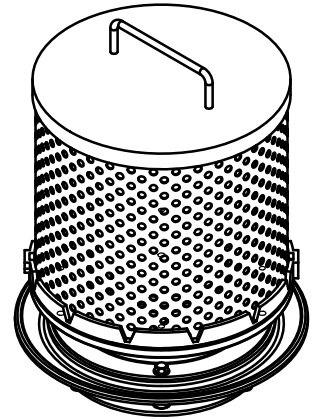
SPECIFICATION:

JOSAM SERIES 21500-AE-ORDG1 COATED CAST IRON DRAIN BODY WITH ADJUSTABLE EXTENSION AND CLAMP RING WITH STAINLESS STEEL GRAVEL STOP AND SECURED COVER AND PVC STANDPIPE WITH ORIFICE

ROOF DRAIN GREEN ROOF

SERIES 21500-AE-ORDG1

- THIS DIMENSION IS 5-3/4" FOR 21508-T
- GASKET ON -Y CONNECTION CONFORMS WITH ASTM-C564



- X = 5-3/8
- Y = 4-7/8
- Z = 5-1/8
- T = 3-3/4

			X	-AE	THREADED LEVELZE ADJ. EXT.
	2"	PIPE SIZE		-AER	ADJ. EXT. USING THREADED RODS
	3"	PIPE SIZE		-PC	PERFORATED COVER
	4"	PIPE SIZE		-LO	LESS ORIFICE IN STANDPIPE
	5"	PIPE SIZE		-1	DECK CLAMP ASY.
	6"	PIPE SIZE		-2	DRAIN RECEIVER
	8"	PIPE SIZE		-3	DECK CLAMP ASY. AND DRAIN RECEIVER
	10"	PIPE SIZE (NO-HUB ONLY)		-3C	DRAIN RECEIVER AND DRAIN RECEIVER CLIPS
				-4	SECONDARY FLASHING CLAMP (-AE ONLY)
	-X	INSIDE CAULK OUTLET		-6	EXTRA WIDE FLANGE DRAIN BODY (-X OUTLET ONLY)
	-Y	HUB OUTLET W/GASKET (2", 3" & 4" SIZES ONLY)		-10	FIXED EXT. COLLAR, CAST IRON (SPECIFY HT. OR 4" STD.)
	-Z	NO-HUB SPIGOT OUTLET		-10-20	FIXED EXT. COLLAR, GALV. (SPECIFY HT. OR 4" STD.)
	-T	THREADED OUTLET		-17"	2" HIGH SOLID CLAMPING COLLAR
				-20	GALV. CAST IRON PARTS
				-66	NO-HUB SIDE OUTLET (2" THRU 6" OUTLETS ONLY)

WARNING: Cancer and Reproductive Harm - www.P65Warnings.ca.gov

DATE OF LAST CHANGE: 6/15/18

DIMENSIONS ARE SUBJECT TO MANUFACTURERS TOLERANCES AND CHANGE WITHOUT NOTICE. WE CAN ASSUME NO RESPONSIBILITY FOR USE OF SUPERSEDED OR VOID DATA.



NOTES