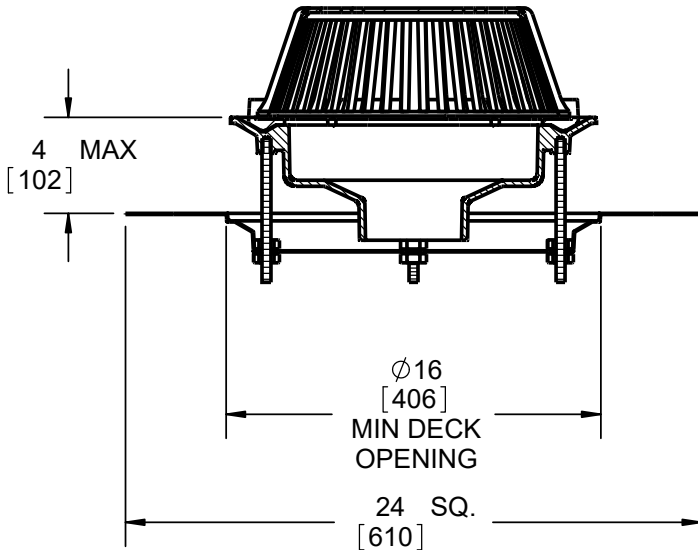
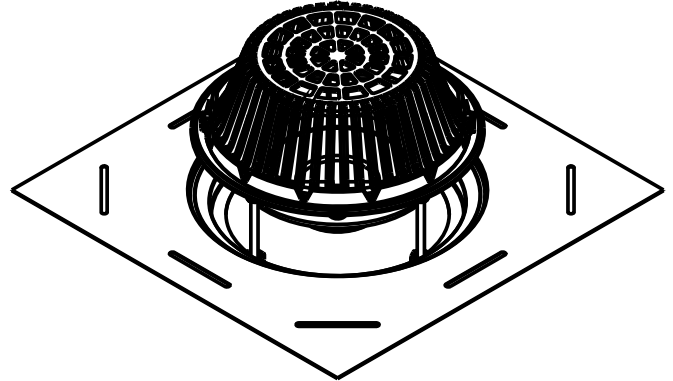
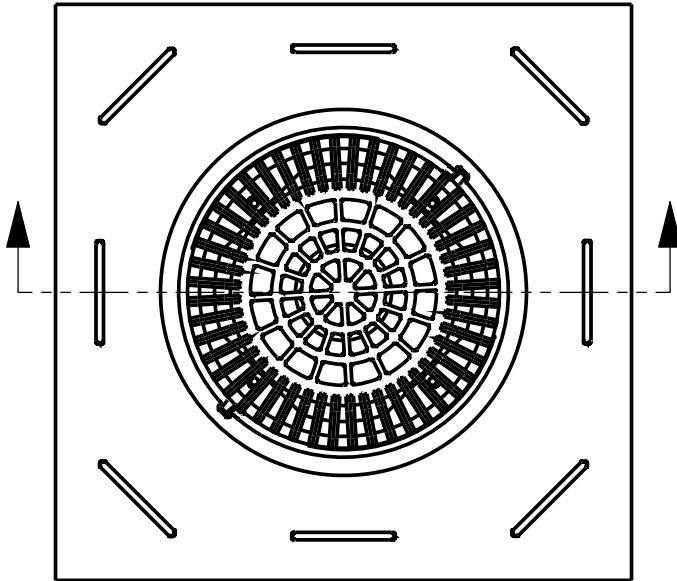


**SPECIFICATION:**

JOSAM 21500-AER SERIES COATED CAST IRON ROOF DRAIN, LARGE POLYPROPYLENE LOCKING DOME, WEJLOC NON-PUNCTURING CLAMP RING, LARGE SUMP, DRAIN RECEIVER WITH ADJUSTABLE EXTENSION RODS, AND BOTTOM OUTLET.

**ROOF DRAIN**  
WITH  
ADJUSTABLE EXTENSION RODS

SERIES **21500-AER**



FOR MORE DRAIN DIMENSIONS, SEE 21500 DRAWING

**OPTIONS:**

-IRMA	PERFORATED SS EXTENSION
-CR	CLAMPING DRAIN RECEIVER
-6	EXTRA WIDE FLANGE DRAIN BODY (-X OUTLET ONLY)
-16*	INTERNAL WATERGUARD (2" - 6" ONLY)
-17*	2" HIGH SOLID CLAMPING COLLAR
-19	CLAMP COLLAR W/ PERF SS GRAVEL GUARD
-20	GALVANIZED CAST IRON PARTS
-22	CAST IRON DOME
-22 -21	GALVANIZED CAST IRON DOME ONLY
-23	ROUGH BRONZE DOME
-26	ALUMINUM DOME
-33	SS MESH-COVERED DOME
-VP	VANDAL-PROOF DOME

PIPE SIZE
2"
3"
4"
5"
6"
8"
10" □

**OUTLET TYPES:**

-T	THREADED
-X	INSIDE CAULK
-Y	HUB WITH GASKET (2", 3", 4" ONLY)
-Z	NO-HUB

□ 10" AVAILABLE IN NO-HUB ONLY

\* -16 AND -17 CANNOT BE FURNISHED TOGETHER

WARNING: Cancer and Reproductive Harm - www.P65Warnings.ca.gov

DATE OF LAST CHANGE: 02/11/20

DIMENSIONS ARE SUBJECT TO MANUFACTURERS TOLERANCES AND CHANGE WITHOUT NOTICE. WE CAN ASSUME NO RESPONSIBILITY FOR USE OF SUPERSEDED OR VOID DATA.



NOTES