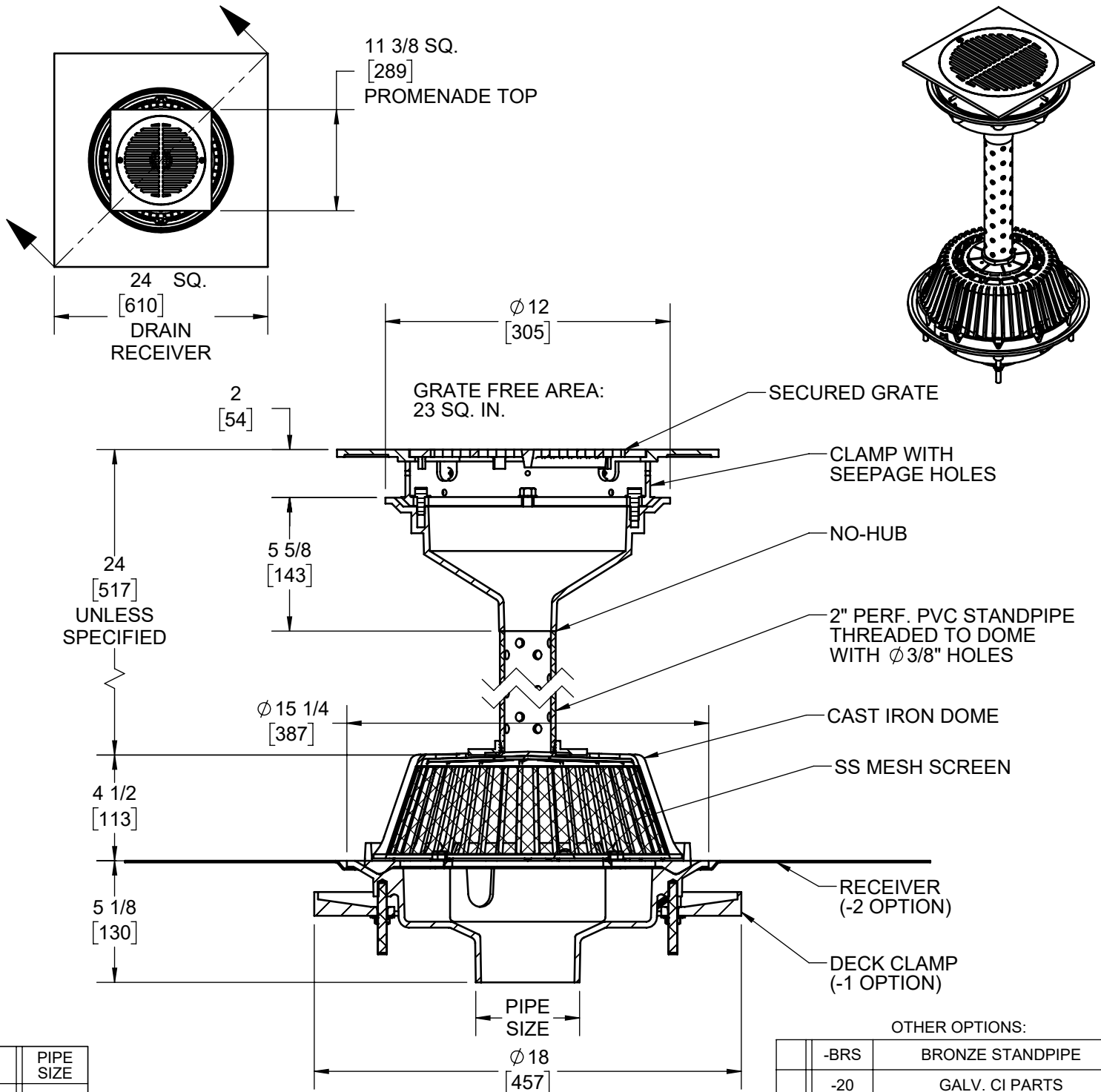


SPECIFICATION:

JOSAM SERIES 21500-Q601 PLAZA/PLANTER DRAIN WITH COATED CAST IRON PROMENADE SQUARE TOP DRAIN, PEFORATED PVC STANDPIPE, AND COATED CAST IRON LOWER DRAIN WITH CAST IRON DOME WITH SS MESH SCREEN.

**DRAIN
PLAZA/PLANTER**

SERIES **21500-Q601**



24
[517]
UNLESS
SPECIFIED

GRATE FREE AREA:
23 SQ. IN.

SECURED GRATE

CLAMP WITH
SEEPAGE HOLES

NO-HUB

2" PERF. PVC STANDPIPE
THREADED TO DOME
WITH ϕ 3/8" HOLES

CAST IRON DOME

SS MESH SCREEN

RECEIVER
(-2 OPTION)

DECK CLAMP
(-1 OPTION)

OTHER OPTIONS:

-BRS	BRONZE STANDPIPE
-20	GALV. CI PARTS
-50	SATIN NIKALOY TOP (ADD 1/4")
-51	SATIN BRONZE TOP (ADD 1/4")
-VP	VANDAL-PROOF SCREWS
	SS SCREEN OVER PIPE
-1	DECK CLAMP
-2	DRAIN RECEIVER

PIPE SIZE	OUTLET TYPE
2"	
3"	
4"	-T THREADED
5"	-X INSIDE CAULK
6"	-Y PUSH-ON
8"	-Z NO-HUB (SHOWN)

DATE OF LAST CHANGE: 10/08/20

DIMENSIONS ARE SUBJECT TO MANUFACTURERS TOLERANCES AND CHANGE WITHOUT NOTICE. WE CAN ASSUME NO RESPONSIBILITY FOR USE OF SUPERSEDED OR VOID DATA.

JOSAM
MICHIGAN CITY, INDIANA

NOTES

WARNING: Cancer and Reproductive Harm - www.P65Warnings.ca.gov