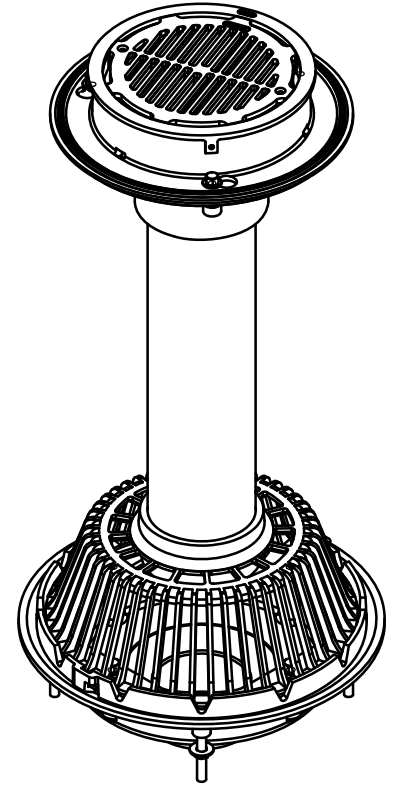
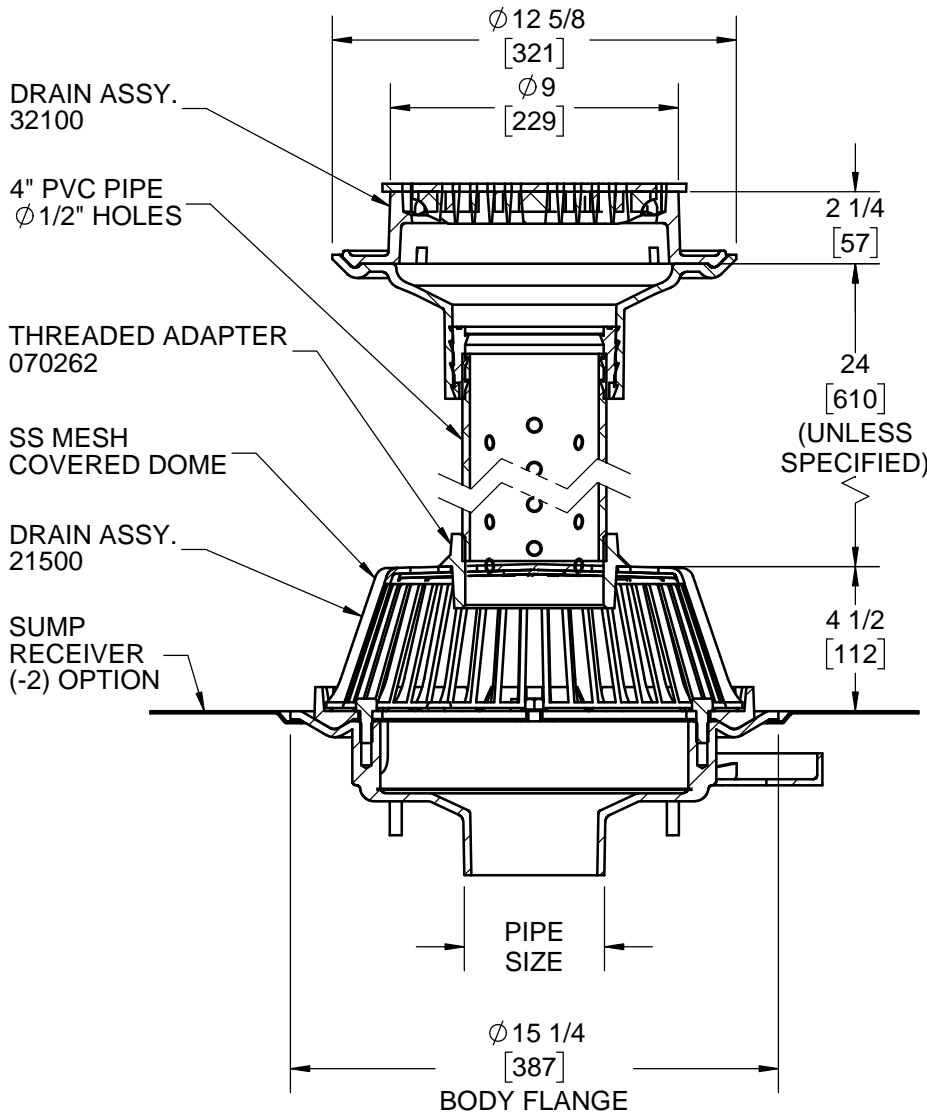


SPECIFICATION:

JOSAM SERIES 21500-Q602 COATED CAST IRON LOWER DRAIN AND WEJLOC CLAMP RING WITH SS MESH COVERED CAST IRON DOME MODIFIED FOR THREADED PVC STANDPIPE. TOP SECTION IS 32100 FLOOR DRAIN. SEE 21500 AND 32100 SUBMITTALS FOR ALL AVAILABLE OPTIONS.

**ROOF DRAIN
PLANTING AREA**

SERIES **21500-Q602**



-1	UNDERDECK CLAMP
-2	DRAIN RECEIVER (24" SQ.)
-VP	VANDALPROOF DOME
-X	CAULK OUTLET
-Y	PUSH-ON OUTLET
-T	THREADED OUTLET
-Z	NO-HUB OUTLET

PIPE SIZE
2"
3"
4"
5"
6"
8"

WARNING: Cancer and Reproductive Harm - www.P65Warnings.ca.gov

DATE OF LAST CHANGE: 6/26/18

DIMENSIONS ARE SUBJECT TO MANUFACTURERS TOLERANCES AND CHANGE WITHOUT NOTICE. WE CAN ASSUME NO RESPONSIBILITY FOR USE OF SUPERSEDED OR VOID DATA.



NOTES