

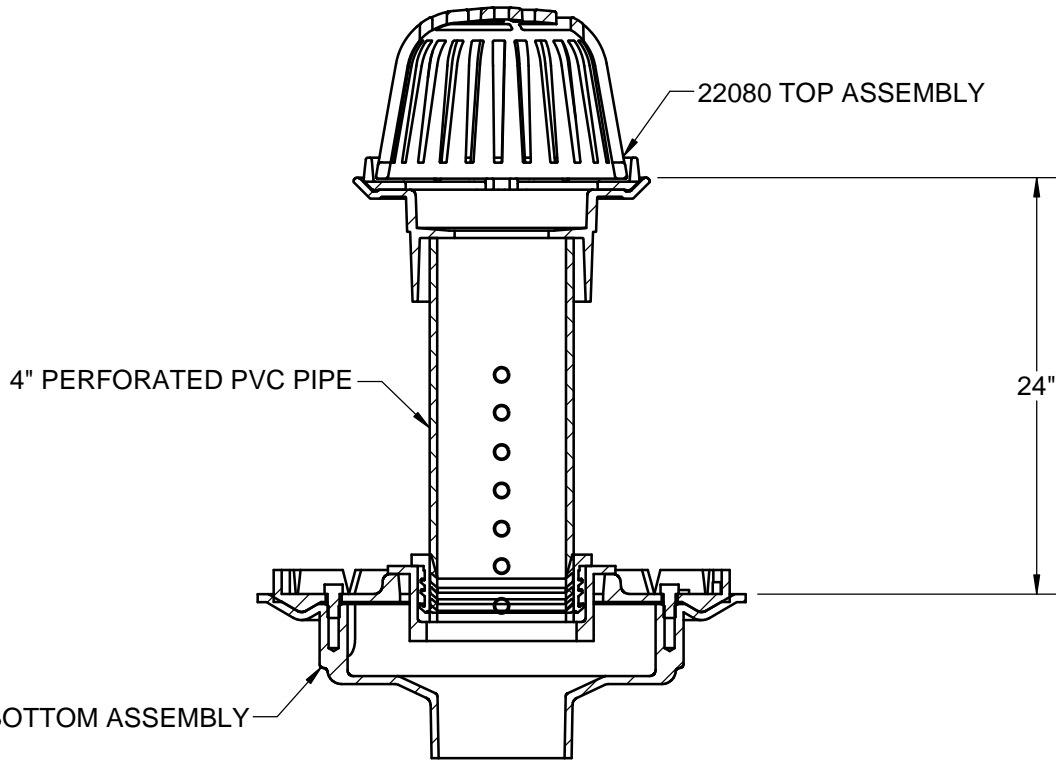
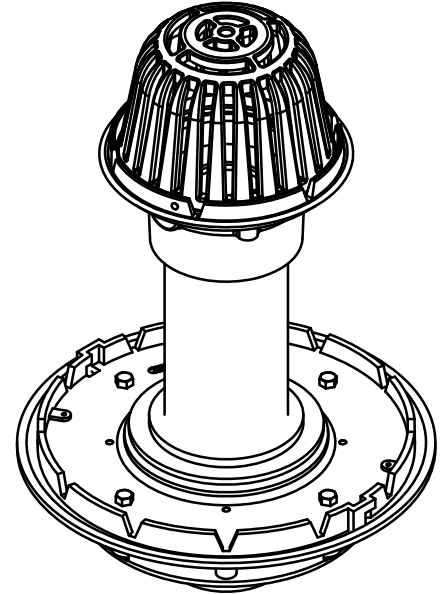
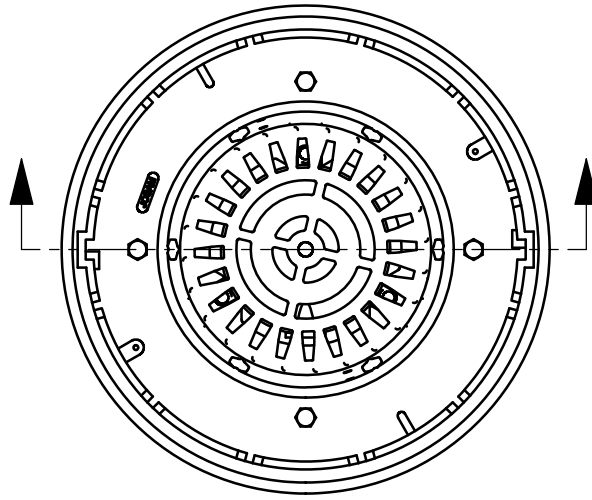
**SPECIFICATION:**

JOSAM SERIES 21500-Q700 COATED CAST IRON ROOF DRAIN, NON-PUNCTURING CLAMP RING WITH INTEGRAL GRAVEL STOP, 4" PVC PERFORATED STANDPIPE, AND 22080 TOP ASSEMBLY.

SEE 29000 AND 22080 SUBMITTALS FOR MORE DETAIL.

**DRAIN  
SUBSURFACE WITH  
STANDPIPE/DOME**

SERIES **21500-Q700**



29000 BOTTOM ASSEMBLY

24"

-X	CAULK OUTLET
-Y	PUSH-ON OUTLET
-T	THREADED OUTLET
-Z	NO-HUB OUTLET

PIPE SIZE
2"
3"
4"
5"
6"
8"

WARNING: Cancer and Reproductive Harm - www.P65Warnings.ca.gov

DATE OF LAST CHANGE: 6/26/18

DIMENSIONS ARE SUBJECT TO MANUFACTURERS TOLERANCES AND CHANGE WITHOUT NOTICE. WE CAN ASSUME NO RESPONSIBILITY FOR USE OF SUPERSEDED OR VOID DATA.

**JOSAM**  
MICHIGAN CITY, INDIANA

NOTES