

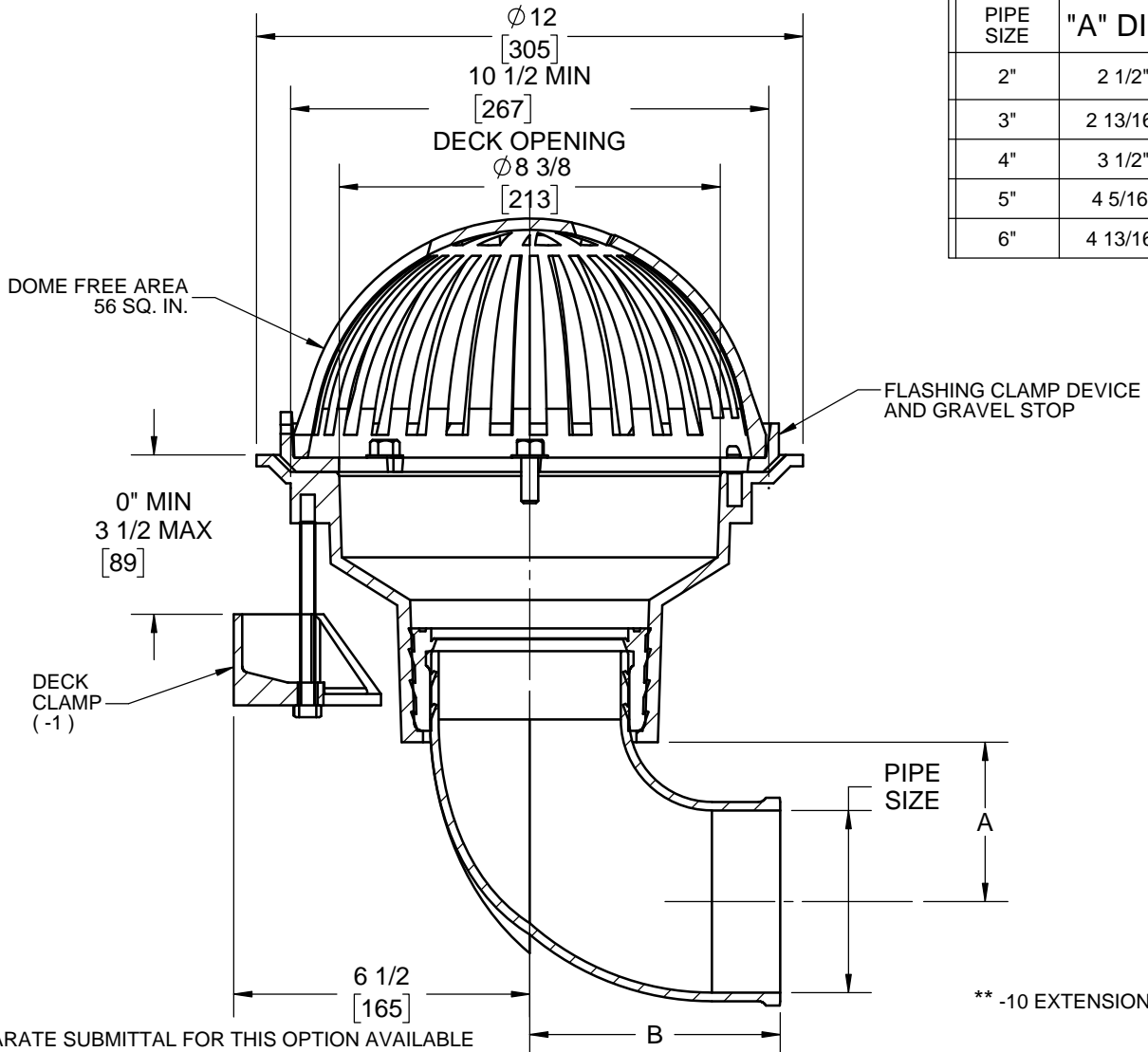
**SPECIFICATION:**

JOSAM 22010-66 SERIES COATED CAST IRON ROOF DRAIN, MEDIUM BEEHIVE DOME, NON-PUNCTURING CLAMP RING WITH INTEGRAL GRAVEL STOP, MEDIUM SUMP WITH ROOF FLANGE AND NO-HUB SIDE OUTLET.

**ROOF DRAIN**  
**MEDIUM SUMP, BEEHIVE DOME**  
**NO-HUB SIDE OUTLET**

SERIES **22010-66**

PIPE SIZE	"A" DIM.	"B" DIM
2"	2 1/2"	4 1/2"
3"	2 13/16"	5"
4"	3 1/2"	5 1/2"
5"	4 5/16"	6 1/2"
6"	4 13/16"	7"



▼ SEPARATE SUBMITTAL FOR THIS OPTION AVAILABLE

\*\* -10 EXTENSION 1" STANDARD

	2"	PIPE SIZE			-10	FIXED EXT. COLLAR, CAST IRON ( SPECIFY HEIGHT ** )
	3"	PIPE SIZE			-10-20	FIXED EXT. COLLAR, GALVANIZED ( SPECIFY HEIGHT ** )
	4"	PIPE SIZE		▼	-17	2" HIGH SOLID CLAMPING COLLAR
	5"	PIPE SIZE			-19	CLAMP COLLAR W/PERF. STAINLESS GRAVEL GUARD
	6"	PIPE SIZE			-20	GALVANIZED CAST IRON PARTS
					-23	ROUGH BRONZE DOME
	-X	INSIDE CAULK OUTLET	X		-66	NO-HUB SIDE OUTLET ( 2" THRU 6" OUTLETS ONLY )
	-Z	NO-HUB SPIGOT OUTLET				
	-T	THREADED OUTLET			-VP	VANDAL-PROOF DOME
	-1	DECK CLAMP ASSEMBLY				
	-1C	DRAIN RECEIVER CLIPS ( MIN. DECK OPENING Ø16.5" )				
	-2	DRAIN RECEIVER				
	-3	DECK CLAMP ASY. AND DRAIN RECEIVER				
	-3C	DRAIN RECEIVER AND DRAIN RECEIVER CLIPS				

DATE OF LAST CHANGE: 11/21/12

DIMENSIONS ARE SUBJECT TO MANUFACTURERS TOLERANCES AND CHANGE WITHOUT NOTICE. WE CAN ASSUME NO RESPONSIBILITY FOR USE OF SUPERSEDED OR VOID DATA.

**JOSAM COMPANY**  
 MICHIGAN CITY, INDIANA

NOTES