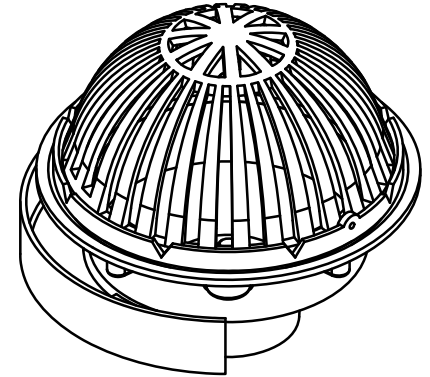
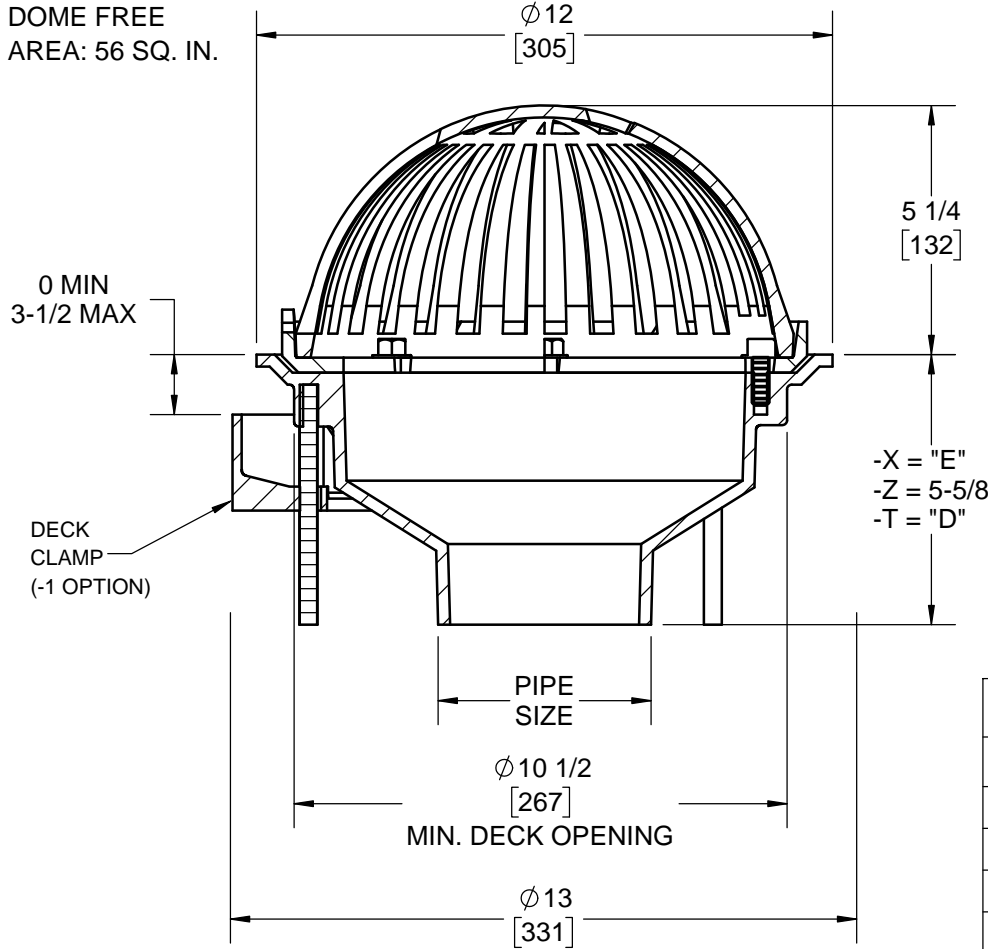


SPECIFICATION:

JOSAM 22010 SERIES COATED CAST IRON ROOF DRAIN, MEDIUM BEEHIVE DOME, NON-PUNCTURING CLAMP RING WITH INTEGRAL GRAVEL STOP, MEDIUM SUMP WITH ROOF FLANGHE AND BOTTOM OUTLET.

ROOF DRAIN
MEDIUM SUMP, BEEHIVE DOME

SERIES **22010**



	PIPE SIZE	"D" DIM.	"E" DIM.
	2"	4 3/4"	6 1/4"
	3"	4 3/4"	6 1/4"
	4"	4 1/2"	6 1/4"
	5"	4 3/8"	6"
	6"	4"	5 3/4"

▼ SEPARATE SUBMITTAL FOR THIS OPTION AVAILABLE

** -10 EXTENSION 1" STANDARD

	2"	PIPE SIZE			-10	FIXED EXT. COLLAR, CAST IRON (SPECIFY HEIGHT **)
	3"	PIPE SIZE			-10-20	FIXED EXT. COLLAR, GALVANIZED (SPECIFY HEIGHT **)
	4"	PIPE SIZE		▼	-17	2" HIGH SOLID CLAMPING COLLAR
	5"	PIPE SIZE		▼	-19	CLAMP COLLAR W/PERF. STAINLESS GRAVEL GUARD
	6"	PIPE SIZE			-20	GALVANIZED CAST IRON PARTS
					-23	ROUGH BRONZE DOME
	-X	INSIDE CAULK OUTLET			-26	ALUMINUM DOME
	-Z	NO-HUB SPIGOT OUTLET			-66	NO-HUB SIDE OUTLET (2" THRU 6" OUTLETS ONLY)
	-T	THREADED OUTLET			-VP	VANDAL-PROOF DOME
					-AER	ADJUSTABLE EXTENSION WITH THREADED ROD
	-1	DECK CLAMP ASSEMBLY			-ARE	ACID-RESISTANT EPOXY COATING
	-1C	DRAIN RECEIVER CLIPS (MIN. DECK OPENING Ø16.5")			-IRMA	PERFORATED STAINLESS STEEL EXTENSION
	-2	DRAIN RECEIVER				
	-3	DECK CLAMP ASY. AND DRAIN RECEIVER				
	-3C	DRAIN RECEIVER AND DRAIN RECEIVER CLIPS				

DATE OF LAST CHANGE: 6/26/18

DIMENSIONS ARE SUBJECT TO MANUFACTURERS TOLERANCES AND CHANGE WITHOUT NOTICE. WE CAN ASSUME NO RESPONSIBILITY FOR USE OF SUPERSEDED OR VOID DATA.

JOSAM
MICHIGAN CITY, INDIANA

NOTES

WARNING: Cancer and Reproductive Harm - www.P65Warnings.ca.gov