

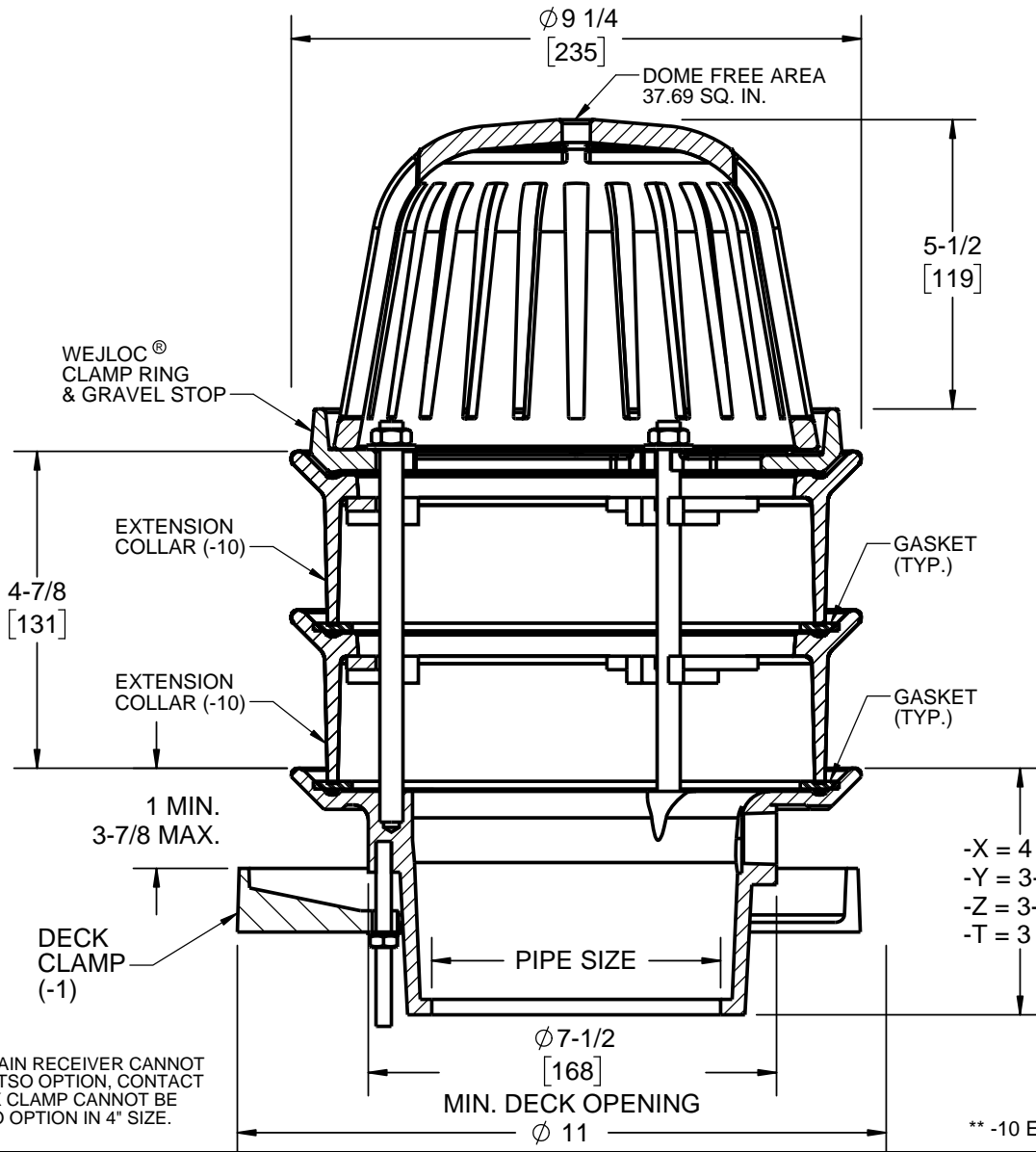
**SPECIFICATION:**

JOSAM SERIES 22080-10 COATED CAST IRON ROOF DRAIN, BEEHIVE DOME, WEJLOC® NON-PUNCTURING CLAMP RING WITH INTEGRAL GRAVEL STOP, SMALL SUMP WITH ROOF FLANGE, FIXED EXTENSIONS, AND BOTTOM OUTLET.

**ROOF DRAIN**

SMALL SUMP, HIGH DOME

SERIES **22080-10**



● GASKET ON -Y CONNECTION CONFORMS WITH ASTM - 564

-X = 4  
-Y = 3-3/4 ●  
-Z = 3-5/8  
-T = 3

\* STANDARD DRAIN RECEIVER CANNOT BE USED WITH -TSO OPTION, CONTACT FACTORY. DECK CLAMP CANNOT BE USED WITH -TSO OPTION IN 4" SIZE.

\*\* -10 EXTENSION 1" STANDARD

	2"	PIPE SIZE		-3	DECK CLAMP ASSEMBLY & DRAIN RECEIVER
	3"	PIPE SIZE		-3C	DRAIN RECEIVER & DRAIN RECEIVER CLIPS
	4"	PIPE SIZE	X	-10	FIXED EXT. COLLAR, CAST IRON ( SPECIFY HEIGHT ** )
				-10-20	FIXED EXT. COLLAR, GALVANIZED ( SPECIFY HEIGHT ** )
	-X	INSIDE CAULK OUTLET		-17	2" HIGH SOLID CLAMPING COLLAR
	-Y	HUB OUTLET WITH GASKET		-20	GALVANIZED CAST IRON PARTS
	-Z	NO-HUB SPIGOT OUTLET		-21	GALVANIZED CAST IRON DOME ONLY
	-T	THREADED OUTLET		-23	ROUGH BRONZE DOME
	-1	DECK CLAMP ASSEMBLY		-TSO*	THREADED SIDE OUTLET
	-1C	DRAIN RECEIVER CLIPS ( MIN. DECK OPENING $\phi$ 16.5" )		-VP	VANDAL-PROOF DOME
	-2	DRAIN RECEIVER			

WARNING: Cancer and Reproductive Harm - www.P65Warnings.ca.gov

DATE OF LAST CHANGE: 6/26/18

DIMENSIONS ARE SUBJECT TO MANUFACTURERS TOLERANCES AND CHANGE WITHOUT NOTICE. WE CAN ASSUME NO RESPONSIBILITY FOR USE OF SUPERSEDED OR VOID DATA.

**JOSAM**  
MICHIGAN CITY, INDIANA

NOTES