

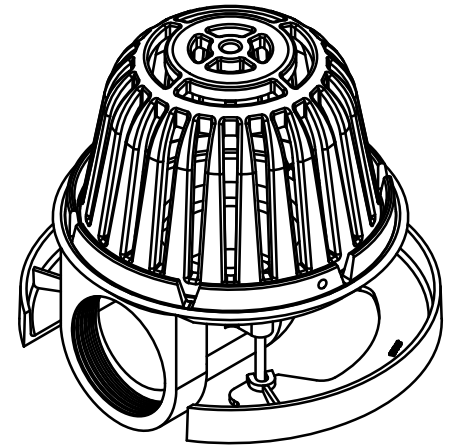
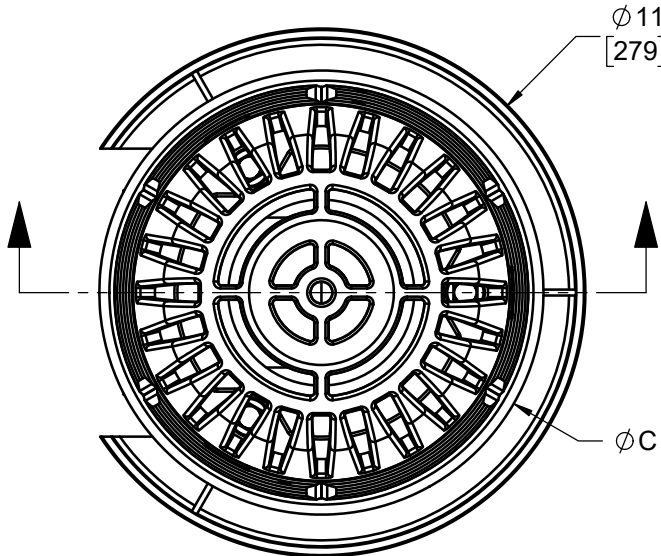
SPECIFICATION:

JOSAM 22080-TSO SERIES COATED CAST IRON ROOF DRAIN, BEEHIVE DOME, WEJLOC® NON-PUNCTURING CLAMP RING WITH INTEGRAL GRAVEL STOP, SMALL SUMP WITH ROOF FLANGE AND INTEGRAL THREADED SIDE OUTLET.

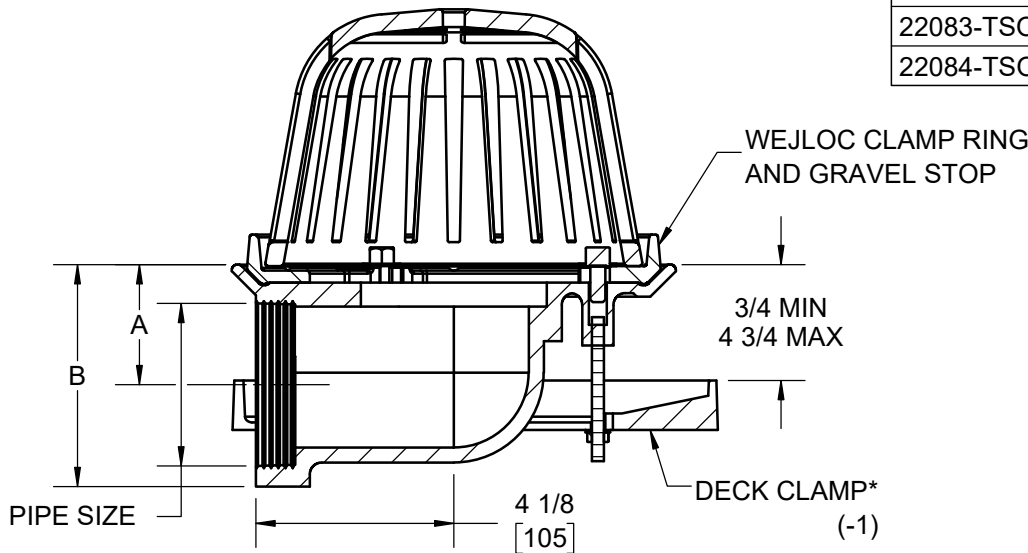
ROOF DRAIN
SMALL SUMP, HIGH DOME,
SIDE OUTLET CONNECTION

SERIES **22080-TSO**

DOME FREE AREA: 37.6 SQ. IN.



TYPE	PIPE SIZE	A	B	C
22082-TSO	2"	3	4 5/8	9 1/4
22083-TSO	3"	2 1/2	4 5/8	9 1/4
22084-TSO	4"	3 1/4	6	10 1/4



◆ GASKET ON -Y CONNECTION CONFORMS WITH ASTM-C564

* DECK CLAMP DOES NOT FIT 4" SIZE.

** -10 EXTENSION 1" STANDARD

▼ SEPARATE SUBMITTAL FOR THIS OPTION AVAILABLE

2"	PIPE SIZE	-10-20	FIXED EXT. COLLAR, GALVANIZED (SPECIFY HEIGHT **)
3"	PIPE SIZE	-17	2" HIGH SOLID CLAMPING COLLAR
4"	PIPE SIZE	-20	GALVANIZED CAST IRON PARTS
		-21	GALVANIZED CAST IRON DOME ONLY
		-23	ROUGH BRONZE DOME
		-33	SS MESH-COVERED DOME
-X	INSIDE CAULK OUTLET	X	-TSO* THREADED SIDE OUTLET
-Y	HUB OUTLET WITH GASKET		
-Z	NO-HUB SPIGOT OUTLET		
-T	THREADED OUTLET		
			-VP VANDAL-PROOF DOME
-1	DECK CLAMP ASSEMBLY (2" and 3" ONLY)		
-3	DECK CLAMP ASSEMBLY AND DRAIN RECEIVER		
-3C	DRAIN RECEIVER AND DRAIN RECEIVER CLIPS		
-10	FIXED EXT. COLLAR, CAST IRON (SPECIFY HEIGHT **)		

DATE OF LAST CHANGE: 07/25/19

DIMENSIONS ARE SUBJECT TO MANUFACTURERS TOLERANCES AND CHANGE WITHOUT NOTICE. WE CAN ASSUME NO RESPONSIBILITY FOR USE OF SUPERSEDED OR VOID DATA.

JOSAM
 MICHIGAN CITY, INDIANA

NOTES

WARNING: Cancer and Reproductive Harm - www.P65Warnings.ca.gov