

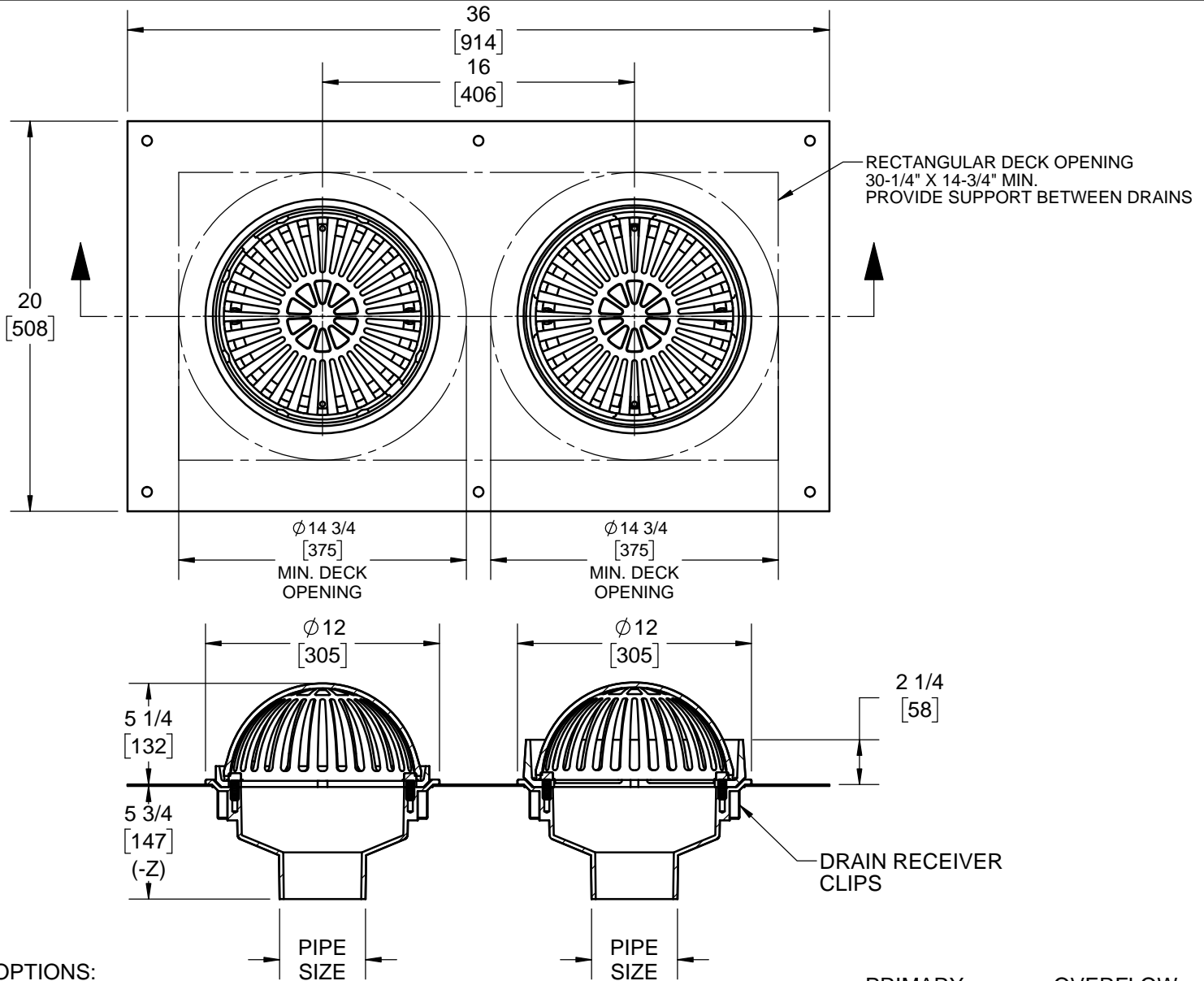
SPECIFICATION:

JOSAM 22200 SERIES COATED CAST IRON 12" DIAMETER COMBINATION ROOF DRAIN AND OVERFLOW DRAIN, ONE WEJLOC NON-PUNCTURING CLAMP RING WITH INTEGRAL GRAVEL STOP AND CAST IRON DOME, ONE NON-PUNCTURING CLAMP RING WITH SOLID WATER GUARD AND CAST IRON DOME.

**ROOF DRAIN
COMBINATION
DRAIN/OVERFLOW**

SERIES

22200



OPTIONS:

-10	FIXED EXT. COLLARS (SPECIFY HT.**)
-19	CLAMP COLLAR WITH PERF. SS GRAVEL GUARD
-20	GALVANIZED CAST IRON PARTS
-23	ROUGH BRONZE DOMES
-33	STAINLESS STEEL MESH-COVERED DOMES
-VP	VANDAL-PROOF DOMES
-IRMA	PERFORATED STAINLESS STEEL EXTENSIONS
-T*	THREADED OUTLET
-X*	INSIDE CAULK OUTLET
-Z	NO-HUB SPIGOT OUTLET
-RCSD	DOUBLE RECESSED DRAIN RECEIVER

**PRIMARY
DRAIN**

PIPE SIZE
2"
3"
4"
5"
6"

**OVERFLOW
DRAIN**

PIPE SIZE
2"
3"
4"
5"
6"

*BODY HEIGHT VARIES BY OUTLET SIZE - SEE 22010 FOR DIMENSIONS

** -10 EXTENSIONS 1" STANDARD

DATE OF LAST CHANGE: 2/10/2020

DIMENSIONS ARE SUBJECT TO MANUFACTURERS TOLERANCES AND CHANGE WITHOUT NOTICE. WE CAN ASSUME NO RESPONSIBILITY FOR USE OF SUPERSEDED OR VOID DATA.



NOTES

WARNING: Cancer and Reproductive Harm - www.P65Warnings.ca.gov