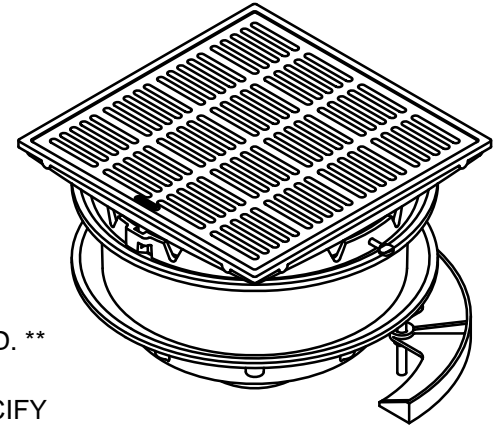
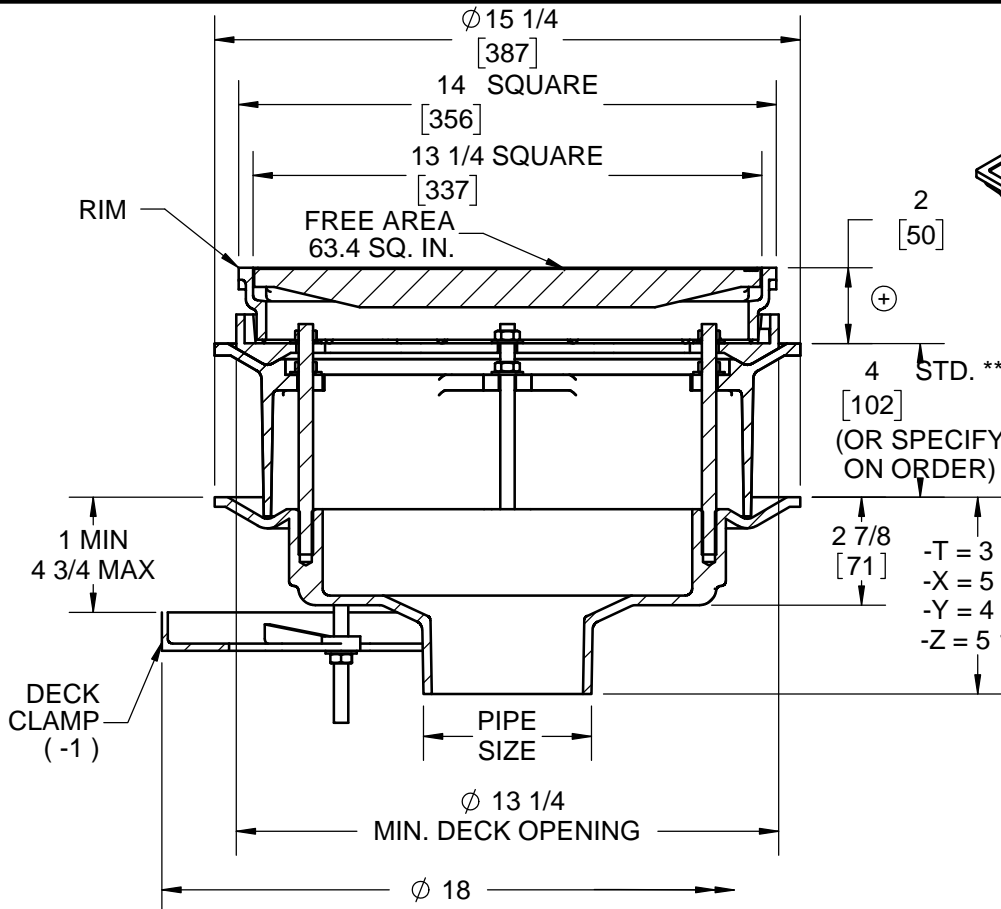


SPECIFICATION:

JOSAM 23500-10 SERIES COATED CAST IRON ROOF DRAIN, SQUARE PEDESTRIAN GRATE SET IN SQUARE FRAME, WEJLOC® NON-PUNCTURING FLASHING COLLAR WITH WEEPHOLES FOR 2" ROOF FILL, FIXED EXTENSION, LARGE SUMP WITH WIDE ROOF FLANGE AND BOTTOM OUTLET.
SLOT WIDTH: 5/16" - MEETS ADA AND HEEL-PROOF

**ROOF DRAIN
LARGE SUMP**

SERIES **23500-10**



⊕ ADD 1/4" WHEN FURNISHED W/NIKALOY OR BRONZE TOP

● THIS DIMENSION IS 5 3/4" ON 8" THREADED OUTLET

● GASKET ON -Y CONNECTION CONFORMS WITH ASTM-C564

▼ SEPARATE SUBMITTAL FOR THIS OPTION AVAILABLE

** -10 EXTENSION 4" STANDARD

	2"	PIPE SIZE			-1C	DRAIN RECEIVER CLIPS (MIN. DECK OPENING ϕ 16")
	3"	PIPE SIZE			-2	DRAIN RECEIVER
	4"	PIPE SIZE			-3	DECK CLAMP ASY. AND DRAIN RECEIVER
	5"	PIPE SIZE			-3C	DRAIN RECEIVER AND DRAIN RECEIVER CLIPS
	6"	PIPE SIZE			-4	SECONDARY FLASHING CLAMP (-AE ONLY)
	8"	PIPE SIZE		▼	-6	EXTRA WIDE FLANGE DRAIN BODY (-X OUTLET ONLY)
	10"	PIPE SIZE (AVAILABLE IN NO-HUB ONLY)		X	-10	FIXED EXT. COLLAR, CAST IRON (SPECIFY HEIGHT **)
					-10-20	FIXED EXT. COLLAR, GALVANIZED (SPECIFY HEIGHT **)
	-T	THREADED OUTLET		▼	-18	EXTRA-DEEP SUMP
	-X	INSIDE CAULK OUTLET			-20	GALVANIZED CAST IRON PARTS
	-Y	HUB OUTLET W/GASKET (2", 3", & 4" SIZES ONLY)			-36	DUCTILE IRON GRATE
	-Z	NO-HUB SPIGOT OUTLET			-37-50	HVY-DUTY DUCTILE UNDERGRATE LAMINATED TOP, NIKALOY
					-37-51	HVY-DUTY DUCTILE UNDERGRATE LAMINATED TOP, BRONZE
▼	-AE	THREADED LEVEZE® ADJ. EXT.			-50	CAST IRON UNDERGRATE LAMINATED TOP, NIKALOY
▼	-IRMA	PERFORATED STAINLESS STEEL EXTENSION			-51	CAST IRON UNDERGRATE LAMINATED TOP, BRONZE
	-CR	CLAMPING DRAIN RECEIVER (MIN. DECK OPENING ϕ 16")			-66	NO-HUB SIDE OUTLET (2" THRU 6" OUTLETS ONLY)
	-PG	PARKING GRATE - 110 SQ. IN. F.A. (DUCTILE IRON ONLY)				
	-1	DECK CLAMP ASSEMBLY			-VP	SECURED GRATE, VANDAL-PROOF SCREWS

DATE OF LAST CHANGE: 6/26/18

DIMENSIONS ARE SUBJECT TO MANUFACTURERS TOLERANCES AND CHANGE WITHOUT NOTICE. WE CAN ASSUME NO RESPONSIBILITY FOR USE OF SUPERSEDED OR VOID DATA.

JOSAM
MICHIGAN CITY, INDIANA

NOTES

WARNING: Cancer and Reproductive Harm - www.P65Warnings.ca.gov