

SPECIFICATION:

JOSAM 23500-AE-4-6 SERIES COATED CAST IRON LEVELZE® ROOF DRAIN, SQUARE PEDESTRIAN GRATE SET IN SQUARE SECURED FRAME, WEJLOC® NON-PUNCTURING FLASHING COLLAR WITH WEEPHOLES FOR 2" ROOF FILL, BOLTED SUPPORT RING, ADJUSTABLE TOP, LARGE SUMP WITH WIDE ROOF FLANGE AND BOTTOM OUTLET.

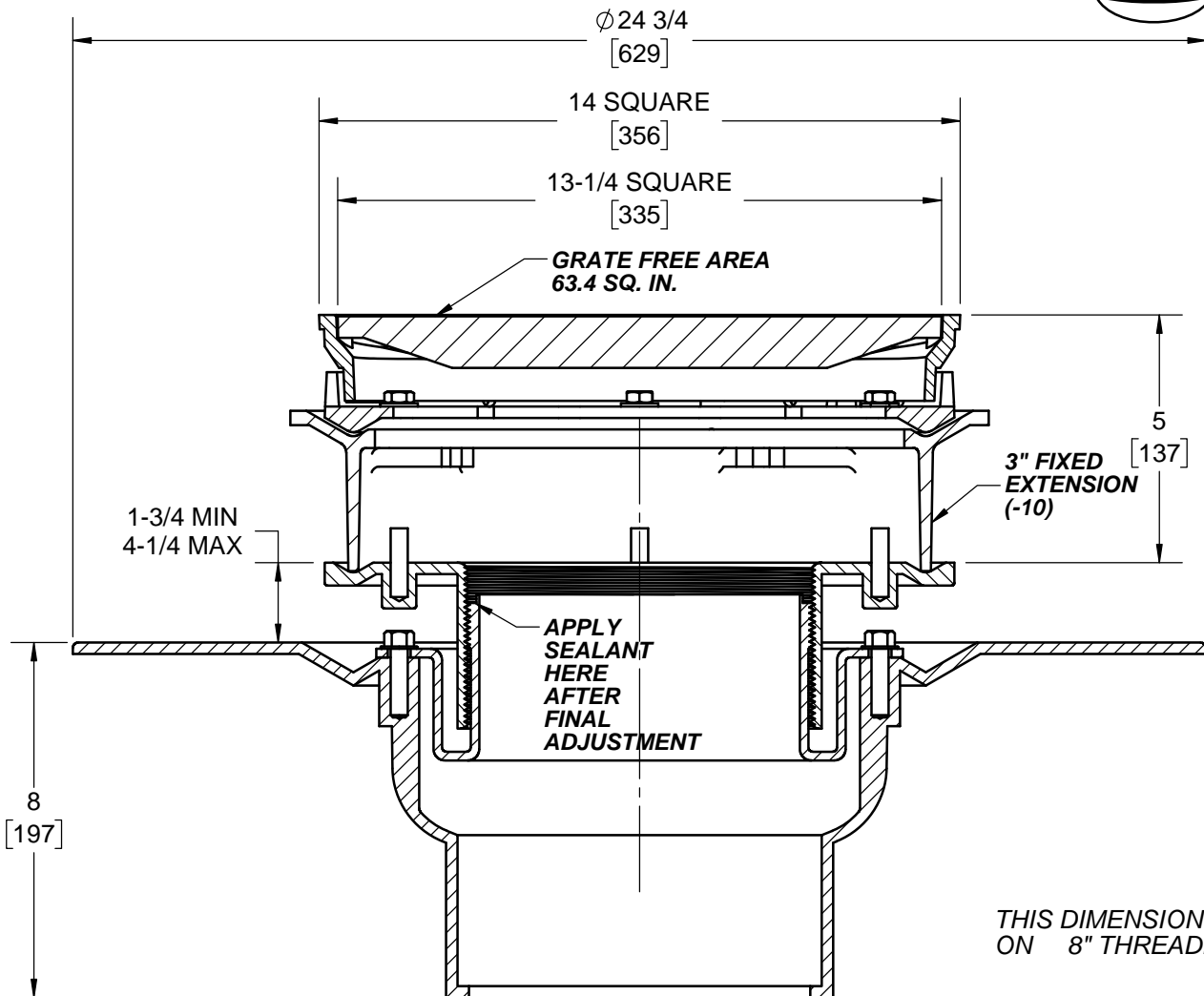
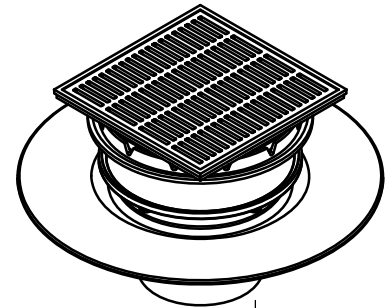
ROOF DRAIN

WITH LEVELZE® ADJUSTABLE EXTENSION

SERIES **23500-6-AE-10**

SLOT WIDTH 5/16"

FORMERLY 23000 SERIES



THIS DIMENSION IS 5-3/4 * ON 8" THREADED OUTLET

	2"	PIPE SIZE	X	-AE	THREADED LEVELZE ADJUSTABLE EXTENSION
	3"	PIPE SIZE	X	-6	WIDE FLANGE
	4"	PIPE SIZE	X	-10	FIXED EXTENSION
	5"	PIPE SIZE		-X	INSIDE CAULK OUTLET
	6"	PIPE SIZE		-Y	HUB OUTLET WITH GASKET (2", 3" & 4" SIZES ONLY)
	8"	PIPE SIZE		-Z	NO-HUB & SPIGOT OUTLET
	10"	PIPE SIZE (NO-HUB ONLY)		-T	THREADED OUTLET

DATE OF LAST CHANGE: 7/09/18

DIMENSIONS ARE SUBJECT TO MANUFACTURERS TOLERANCES AND CHANGE WITHOUT NOTICE. WE CAN ASSUME NO RESPONSIBILITY FOR USE OF SUPERSEDED OR VOID DATA.



MICHIGAN CITY, INDIANA

NOTES

WARNING: Cancer and Reproductive Harm - www.P65Warnings.ca.gov