

**SPECIFICATION:**

JOSAM 23500-6 SERIES COATED CAST IRON ROOF DRAIN, SQUARE PEDESTRIAN GRATE IN SQUARE SECURED FRAME, WEJLOC® NON-PUNCTURING FLASHING COLLAR WITH WEEPHOLES FOR 2" ROOF FILL, LARGE SUMP WITH EXTRA-WIDE ROOF FLANGE AND BOTTOM OUTLET.

**ROOF DRAIN**

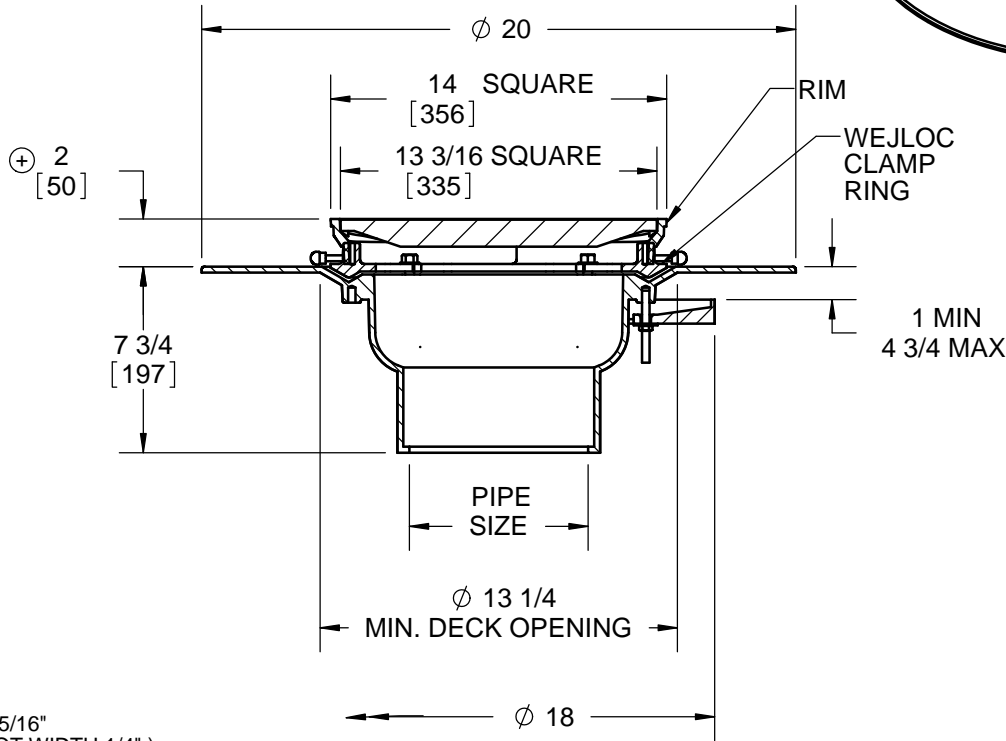
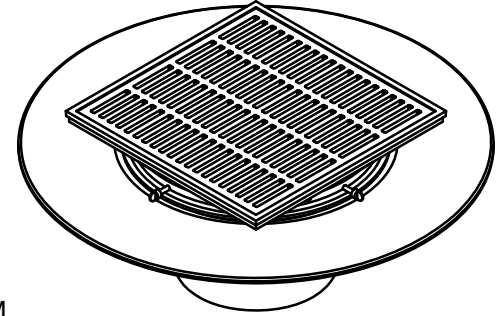
EXTRA-DEEP SUMP, EXTRA-WIDE FLANGE

SERIES

**23500-6**

⊕ ADD 1/4" WHEN FURNISHED W/NIKALOY OR BRONZE TOP

GRATE FREE AREA: 63.4 SQ. IN.



SLOT WIDTH 5/16"  
(-50 & -51 SLOT WIDTH 1/4")

▼ SEPARATE SUBMITTAL FOR THIS OPTION AVAILABLE

\*\* -10 EXTENSION 4" STANDARD

	2"	PIPE SIZE - INSIDE CAULK OUTLET			
	3"	PIPE SIZE - INSIDE CAULK OUTLET		-10	FIXED EXTENSION COLLAR, CAST IRON ( SPECIFY HEIGHT ** )
	4"	PIPE SIZE - INSIDE CAULK OUTLET		-10-20	FIXED EXTENSION COLLAR, GALVANIZED ( SPECIFY HEIGHT ** )
	5"	PIPE SIZE - INSIDE CAULK OUTLET			
	6"	PIPE SIZE - INSIDE CAULK OUTLET		-20	GALVANIZED CAST IRON PARTS
	8"	PIPE SIZE - NO-HUB OUTLET		-36	DUCTILE IRON GRATE
	10"	PIPE SIZE - NO-HUB OUTLET		-37-50	HVY-DUTY DUCTILE UNDERGRATE LAMINATED TOP, NIKALOY
				-37-51	HVY-DUTY DUCTILE UNDERGRATE LAMINATED TOP, BRONZE
				-50	CAST IRON UNDERGRATE LAMINATED TOP, NIKALOY
▼	-AE	THREADED LEVEZE® ADJ. EXT.		-51	CAST IRON UNDERGRATE LAMINATED TOP, BRONZE
▼	-IRMA	PERFORATED STAINLESS STEEL EXTENSION		-66	NO-HUB SIDE OUTLET ( 2" THRU 6" OUTLETS ONLY )
	-PG	PARKING GRATE - 110 SQ. IN. F. A. (DUCTILE IRON ONLY)			
	-1	DECK CLAMP ASSEMBLY		-VP	SECURED GRATE, VANDAL-PROOF SCREWS
X ▼	-6	EXTRA WIDE FLANGE DRAIN BODY			

DATE OF LAST CHANGE: 6/26/18

DIMENSIONS ARE SUBJECT TO MANUFACTURERS TOLERANCES AND CHANGE WITHOUT NOTICE. WE CAN ASSUME NO RESPONSIBILITY FOR USE OF SUPERSEDED OR VOID DATA.

**JOSAM**  
MICHIGAN CITY, INDIANA

NOTES

WARNING: Cancer and Reproductive Harm - www.P65Warnings.ca.gov