

**SPECIFICATION:**

JOSAM 23510-10 SERIES COATED CAST IRON ROOF DRAIN, ROUND EXTRA-HEAVY DUTY GRATE SET IN ROUND SECURED FRAME, WEJLOC® NON-PUNCTURING FLASHING COLLAR WITH WEEP HOLES, AND LARGE SUMP WITH WIDE FLANGE AND BOTTOM OUTLET.

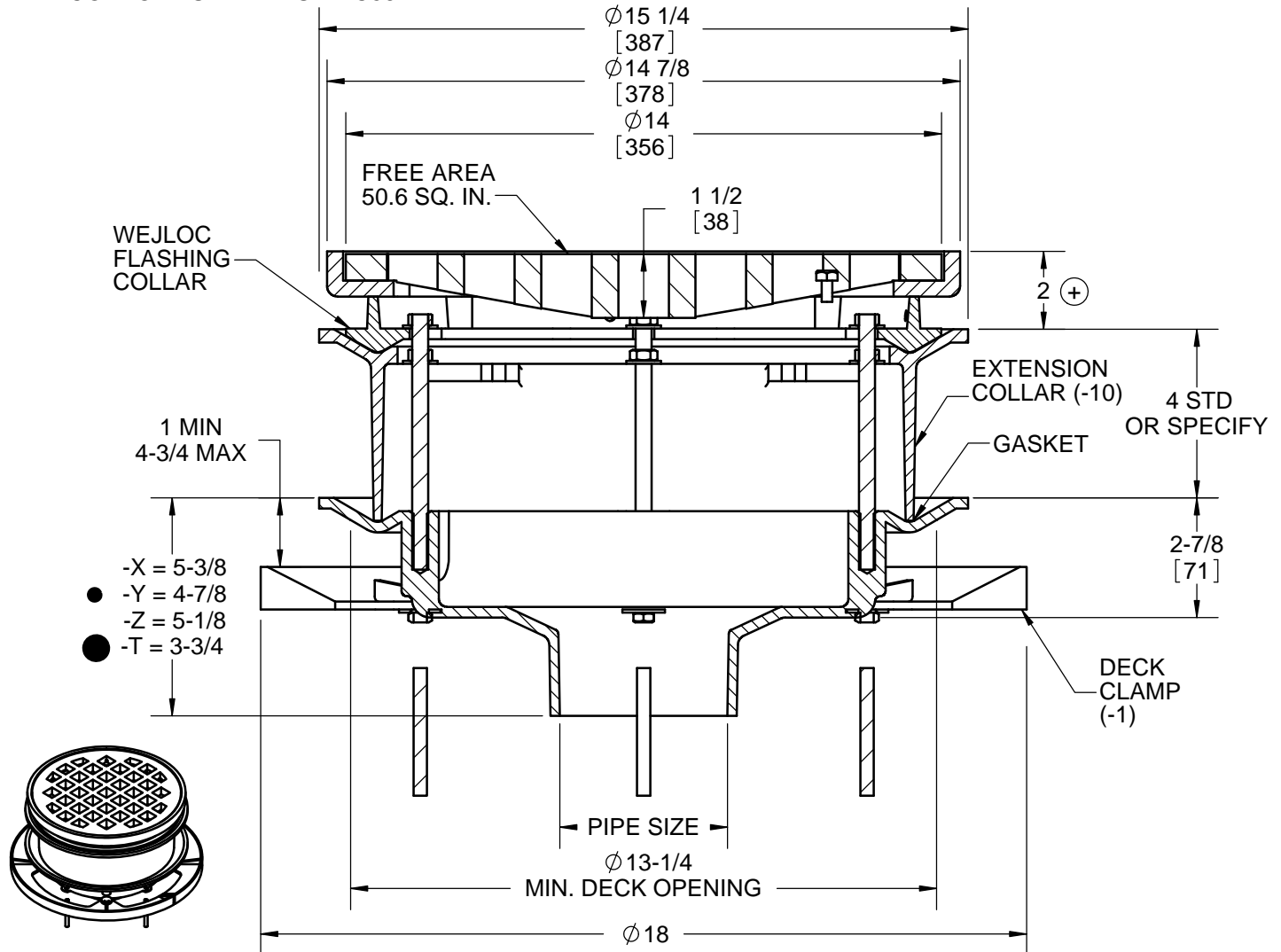
**ROOF DRAIN**

EXTRA-HEAVY DUTY PARKING GRATE

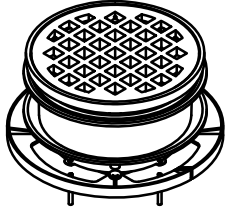
SERIES **23510-10**

- THIS DIMENSION IS 5-3/4" ON 8" THREADED OUTLET
- GASKET ON -Y CONNECTION CONFORMS WITH ASTM-C564

- ⊕ ADD 1/4" WHEN FURNISHED W/NIKALOY OR BRONZE TOP
- SLOT WIDTH 1-1/16" SQ. HOLES



- -X = 5-3/8
- -Y = 4-7/8
- -Z = 5-1/8
- -T = 3-3/4



2"	PIPE SIZE		-1	DECK CLAMP ASSEMBLY
3"	PIPE SIZE		-1C	DRAIN RECEIVER CLIPS ( MIN. DECK OPENING Ø 16" )
4"	PIPE SIZE		-2	DRAIN RECEIVER
5"	PIPE SIZE		-3	DECK CLAMP ASY. AND DRAIN RECEIVER
6"	PIPE SIZE		-3C	DRAIN RECEIVER AND DRAIN RECEIVER CLIPS
8"	PIPE SIZE	X	-10	FIXED EXT. COLLAR, CAST IRON ( SPECIFY HEIGHT ** )
10"	PIPE SIZE (NO-HUB ONLY)		-10-20	FIXED EXT. COLLAR, GALVANIZED ( SPECIFY HEIGHT ** )
-X	INSIDE CAULK OUTLET		-20	GALVANIZED CAST IRON PARTS
-Y	HUB OUTLET W/GASKET ( 2", 3" & 4" SIZES ONLY )		-36	DUCTILE IRON GRATE ( CAST IRON TOP ONLY )
-Z	NO-HUB SPIGOT OUTLET		-50	SATIN FINISH NIKALOY TOP
-T	THREADED OUTLET		-51	SATIN FINISH BRONZE TOP
-CR	CLAMPING DRAIN RECEIVER ( MIN. DECK OPENING Ø 16" )		-VP	SECURED GRATE, VANDAL-PROOF SCREWS

WARNING: Cancer and Reproductive Harm - www.P65Warnings.ca.gov

DATE OF LAST CHANGE: 6/27/18  
 DIMENSIONS ARE SUBJECT TO MANUFACTURERS TOLERANCES AND CHANGE WITHOUT NOTICE. WE CAN ASSUME NO RESPONSIBILITY FOR USE OF SUPERSEDED OR VOID DATA.



NOTES