

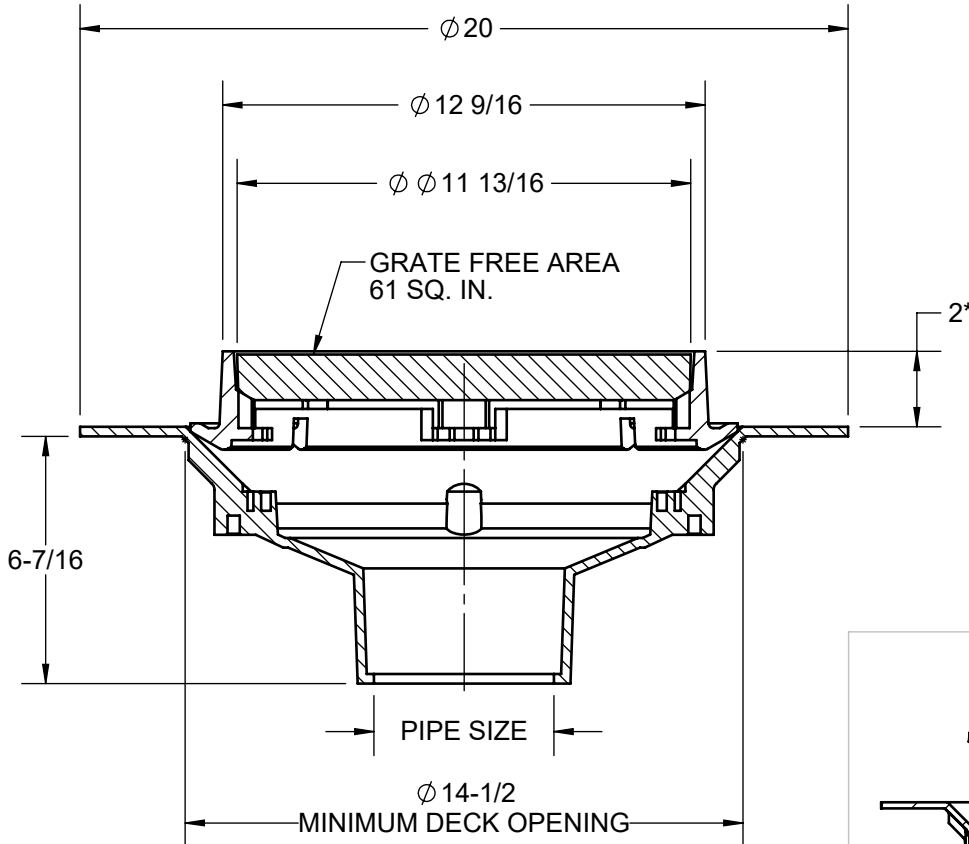
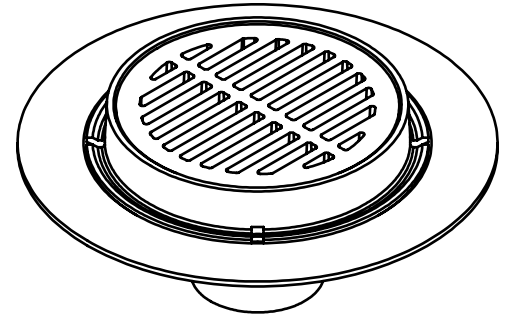
SPECIFICATION:

JOSAM SERIES 24050 COATED CAST IRON GARAGE DRAIN WITH WIDE SUPPORT FLANGE, WEEPHOLES, ROUND SPECIAL-DUTY GRATE AND BOTTOM OUTLET INSIDE CAULK CONNECTION.

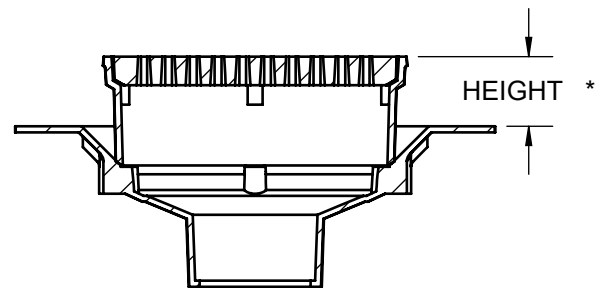
**DRAIN
SPECIAL-DUTY, FLAT GRATE**

SERIES **24050**

**STD. SLOT WIDTH 1/2" MEETS ADA
-HP, -50, & -51 SLOT WIDTH MEETS ADA AND HEEL-PROOF**



* ADD 1/4" WHEN FURNISHED WITH NIKALOY OR BRASS TOP



-12 OPTIONAL EXTENSION
SPECIFY HEIGHT= _____

4"	PIPE SIZE		-31	CHAIN ANCHORED GRATE
6"	PIPE SIZE		-36	DUCTILE IRON GRATE (CAST IRON TOP ONLY)
8"	PIPE SIZE		-50	SATIN FINISH NIKALOY TOP *
			-51	SATIN FINISH BRASS TOP *
-1	DECK CLAMP ASSEMBLY		-HP	HEEL-PROOF GRATE
-12	EXTENSION CAST IRON (SPECIFY HEIGHT)		-VP	SECURED GRATE
-20	GALVANIZED CAST IRON PARTS		-66	NO-HUB SIDE OUTLET (4" AND 6")
-29	SEDIMENT BUCKET, CAST IRON	X	-X	INSIDE CAULK OUTLET
-29-20	SEDIMENT BUCKET, GALVANIZED			

DATE OF LAST CHANGE: 11/04/20

DIMENSIONS ARE SUBJECT TO MANUFACTURERS TOLERANCES AND CHANGE WITHOUT NOTICE. WE CAN ASSUME NO RESPONSIBILITY FOR USE OF SUPERSEDED OR VOID DATA.

JOSAM
MICHIGAN CITY, INDIANA

NOTES