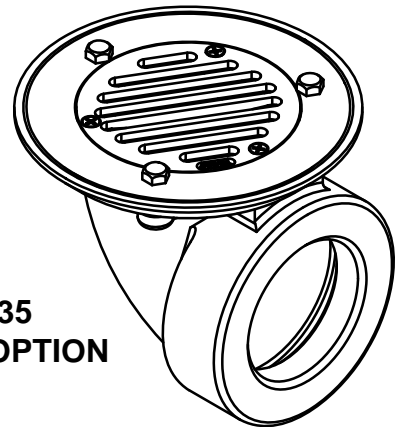
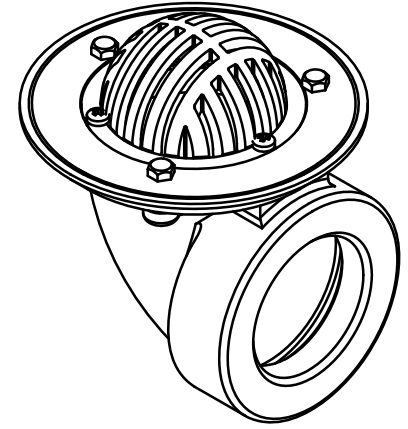
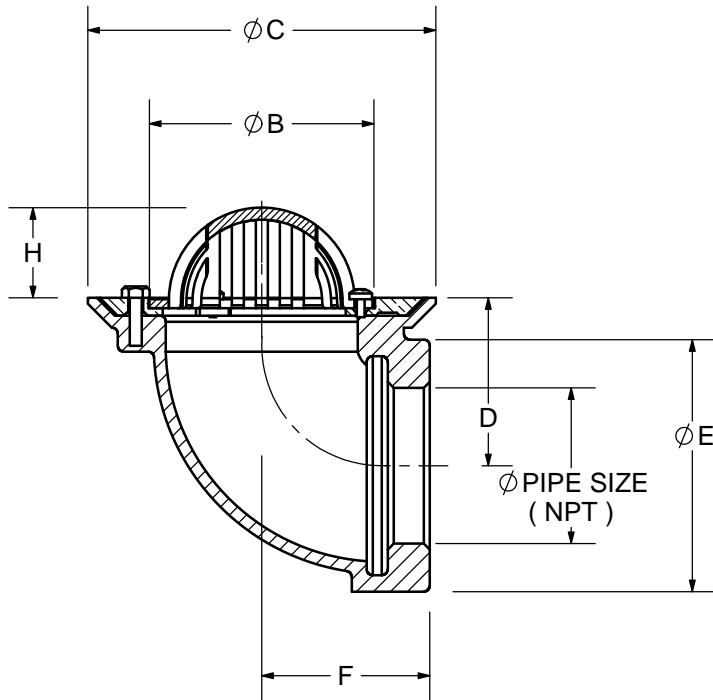


SPECIFICATION:

JOSAM SERIES 24500-90 COATED CAST IRON SILL DRAIN, SECURED LOW BRONZE DOME, BRONZE CLAMP RING AND SHALLOW SUMP WITH FLASHING FLANGE AND SIDE THREADED OUTLET CONNECTION.

ROOF DRAIN
SILL TYPE WITH BRONZE DOME

SERIES **24500-90**



PIPE SIZE	Ø "B"	Ø "C"	DIM. "D"	DIM. "E"	DIM. "F"	DIM. "H"	FREE AREA
2"	3-3/4	6	2-1/2	4	2-3/4	1-1/2	4.4 SQ. IN.
3"	4-3/4	7-1/4	3	5	3-1/2	1-7/8	7.3 SQ. IN.
4"	4-3/4	7-1/4	3-1/2	6	3-1/2	1-7/8	7.3 SQ. IN.

X	-90	THREADED OUTLET BODY			-35	FLAT GRATE
	-20	GALVANIZED CAST IRON PARTS			-50	SATIN FINISH NIKALOY TOP
	-24	ROUGH NIKALOY DOME			-51	SATIN FINISH BRONZE TOP
	-27	TALL DOME				
	-33	STAINLESS STEEL MESH COVERED DOME			-VP	VANDAL-RESISTANT DOME

DATE OF LAST CHANGE: 6/28/18
DIMENSIONS ARE SUBJECT TO MANUFACTURERS TOLERANCES AND CHANGE WITHOUT NOTICE. WE CAN ASSUME NO RESPONSIBILITY FOR USE OF SUPERSEDED OR VOID DATA.



NOTES

WARNING: Cancer and Reproductive Harm - www.P65Warnings.ca.gov