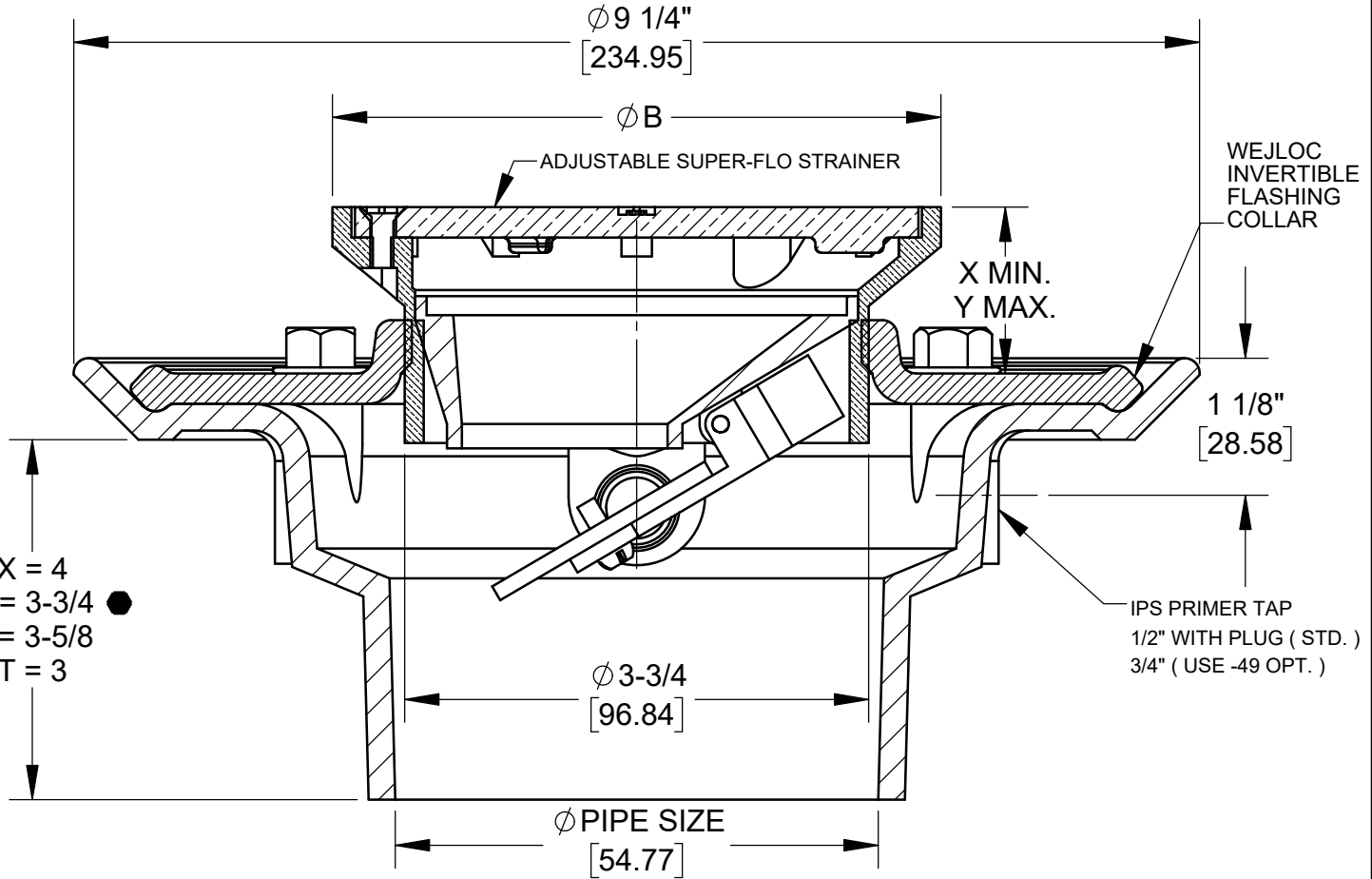


SPECIFICATION:

JOSAM SERIES 30000-A-J CAST IRON FLOOR DRAIN, TWO-PIECE BODY WITH DOUBLE DRAINAGE FLANGE AND 1/2" PRIMER TAP, WEJLOC® INVERTIBLE FLASHING COLLAR, WEEPHOLES, BOTTOM OUTLET CONNECTION AND NIKALOY ADJUSTABLE ROUND SUPER-FLO STRAINER WITH WEIGHTED BRONZE VALVE CLOSURE BACKWATER VALVE ASSEMBLY.

**FLOOR DRAIN
ADJUSTABLE FLOOR DRAIN
WITH BACKWATER VALVE**

SERIES **30000-A-J**



X = 4
Y = 3-3/4 ●
Z = 3-5/8
T = 3

IPS PRIMER TAP
1/2" WITH PLUG (STD.)
3/4" (USE -49 OPT.)

SLOT WIDTH 1/4" (5" THRU 8" TOPS)

STRAINER	DIA. B	X	Y	FREE AREA
-5A	5	3/4	2-1/8	7.8
-6A	6	1-1/4	2-3/8	11.0
-7A	7	1-1/8	2-7/8	13.2
-8A	8	1-5/8	2-5/8	16.2
-9A ●	9	1-1/8	2-1/4	21.1
-10A ●	10	1-1/8	2-3/8	28.0

● NOT SUPER-FLO DESIGN, 1" x 1/2" OPENINGS

▼ SEPARATE SUBMITTAL FOR THIS OPTION AVAILABLE

2"	PIPE SIZE	X	-J	BACKWATER VALVE
3"	PIPE SIZE		-PD	PRISON DRAIN (2" & 3" SIZES ONLY) ▼
4"	PIPE SIZE		-SS	STAINLESS STEEL
			-ST	WITH SHALLOW TRAP (2" & 3" SIZES ONLY) ▼
-2	BRONZE ADJUSTABLE STRAINER		-TSO	THREADED SIDE OUTLET ▼
-49	3/4" PRIMER TAP		-VP	SECURED GRATE
-80	PERFORATED STAINLESS STEEL BASKET			
-91	ROUGH BRONZE BODY		-T	THREADED OUTLET
-92	GALVANIZED CAST IRON PARTS		-X	INSIDE CAULK OUTLET
			-Y	HUB OUTLET WITH GASKET ●
-ARE	ACID-RESISTING EPOXY		-Z	NO-HUB SPIGOT OUTLET
-CP	CHROME PLATED STRAINER (5A & 6A)			

DATE OF LAST CHANGE: 08/02/18

DIMENSIONS ARE SUBJECT TO MANUFACTURERS TOLERANCES AND CHANGE WITHOUT NOTICE. WE CAN ASSUME NO RESPONSIBILITY FOR USE OF SUPERSEDED OR VOID DATA.

JOSAM

MICHIGAN CITY, INDIANA

NOTES