

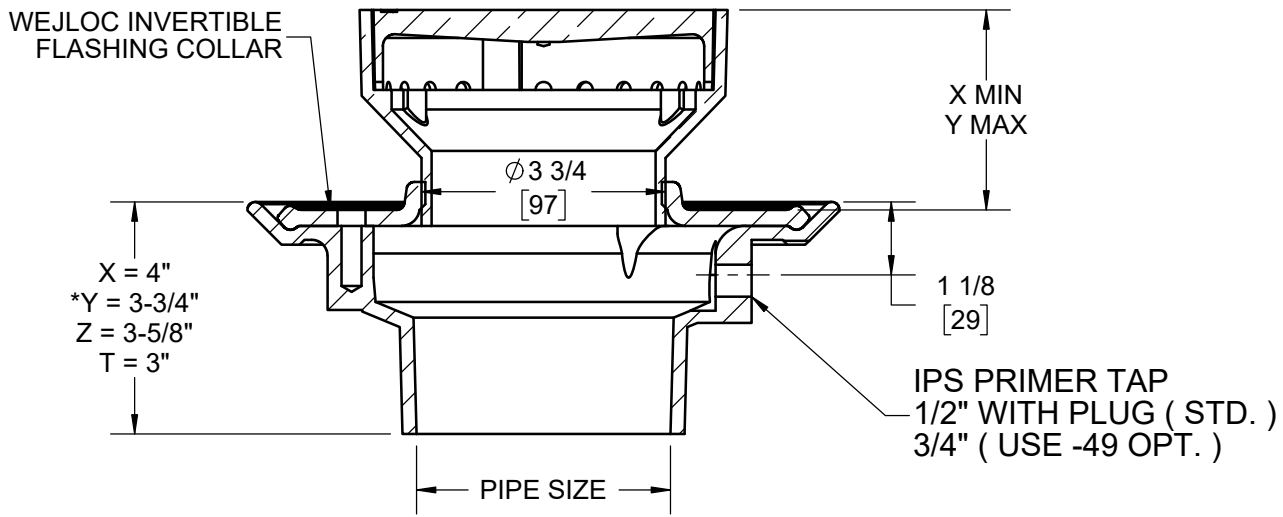
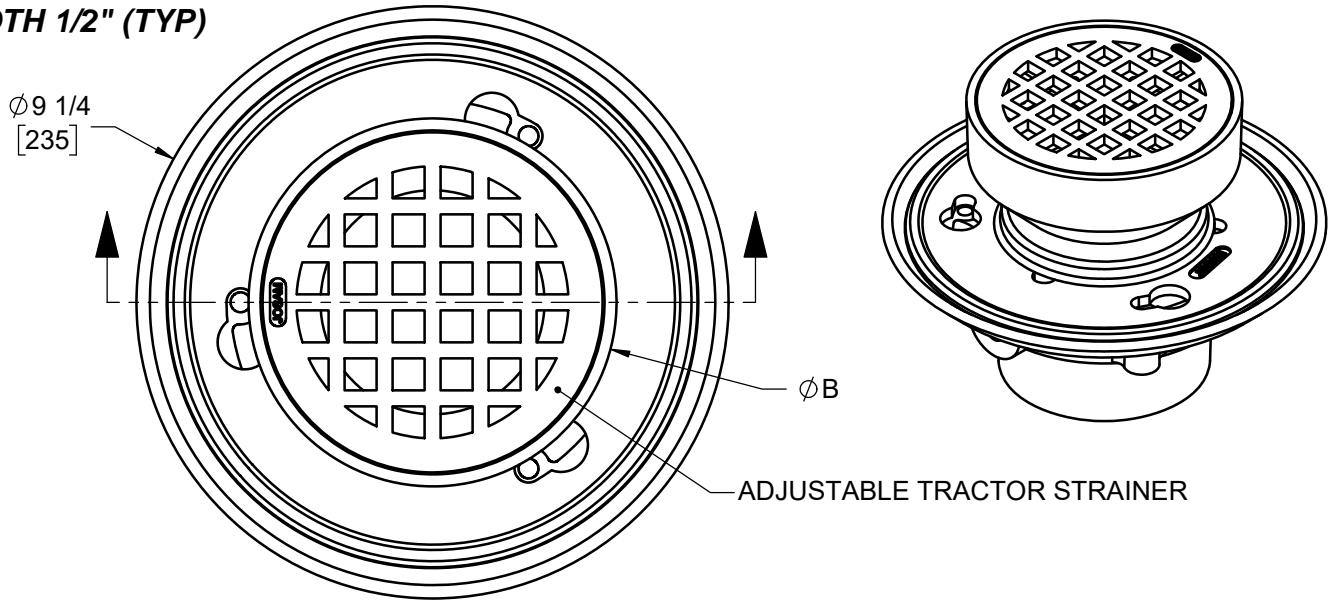
SPECIFICATION:

JOSAM SERIES 30000-E CAST IRON FLOOR DRAIN, TWO-PIECE BODY WITH DOUBLE DRAINAGE FLANGE AND 1/2" PRIMER TAP, WEJLOC® INVERTIBLE FLASHING COLLAR, WEEPHOLES, BOTTOM OUTLET CONNECTION AND NIKALOY ADJUSTABLE ROUND STRAINER WITH HEAVY DUTY TRACTOR GRATE.

**FLOOR DRAIN
ADJUSTABLE FLOOR DRAIN**

SERIES **30000-E**

SLOT WIDTH 1/2" (TYP)



	STRAINER	B	X	Y	FREE AREA
	-6E	6	2-1/4	3-1/2	6.7
	-7E	7	1-7/8	3-1/8	12.0
	-9E	9	2-1/4	3-3/8	21.2

*GASKET ON -Y CONNECTION CONFORMS WITH ASTM-C564

	2"	PIPE SIZE		-93	CAST IRON STRAINER (7E ONLY)
	3"	PIPE SIZE		-SS	STAINLESS STEEL TOP (6E OR 7E ONLY)
	4"	PIPE SIZE		-2	BRONZE ADJUSTABLE STRAINER
	-TSO	THREADED SIDE OUTLET		-80	PERFORATED STAINLESS STEEL BASKET
	-ST	WITH SHALLOW TRAP (2" AND 3" ONLY)		-J	BACKWATER VALVE
	-PD	PRISON DRAIN (2" AND 3" ONLY)		-VP	SECURED GRATE, VANDAL-PROOF SCREWS
	-ARE	ACID-RESISTING EPOXY		-T	THREADED OUTLET
	-49	3/4" PRIMER TAP		-X	INSIDE CAULK OUTLET
	-91	ROUGH BRONZE BODY		-Y	HUB OUTLET WITH GASKET*
	-92	GALVANIZED CAST IRON PARTS		-Z	NO-HUB SPIGOT OUTLET

WARNING: Cancer and Reproductive Harm - www.P65Warnings.ca.gov

DATE OF LAST CHANGE: 07/23/18
DIMENSIONS ARE SUBJECT TO MANUFACTURERS TOLERANCES AND CHANGE WITHOUT NOTICE. WE CAN ASSUME NO RESPONSIBILITY FOR USE OF SUPERSEDED OR VOID DATA.

JOSAM
MICHIGAN CITY, INDIANA

NOTES