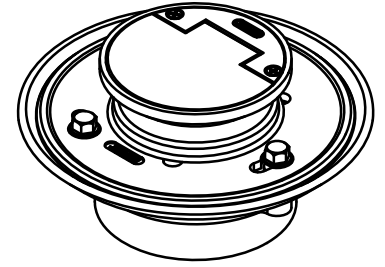
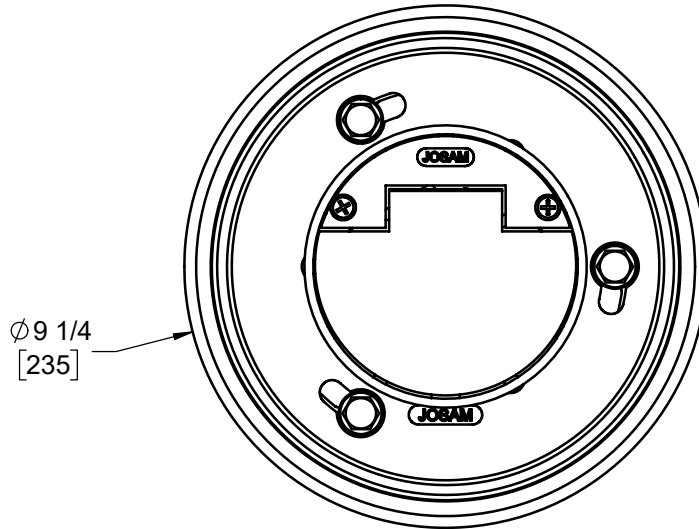


**SPECIFICATION:**

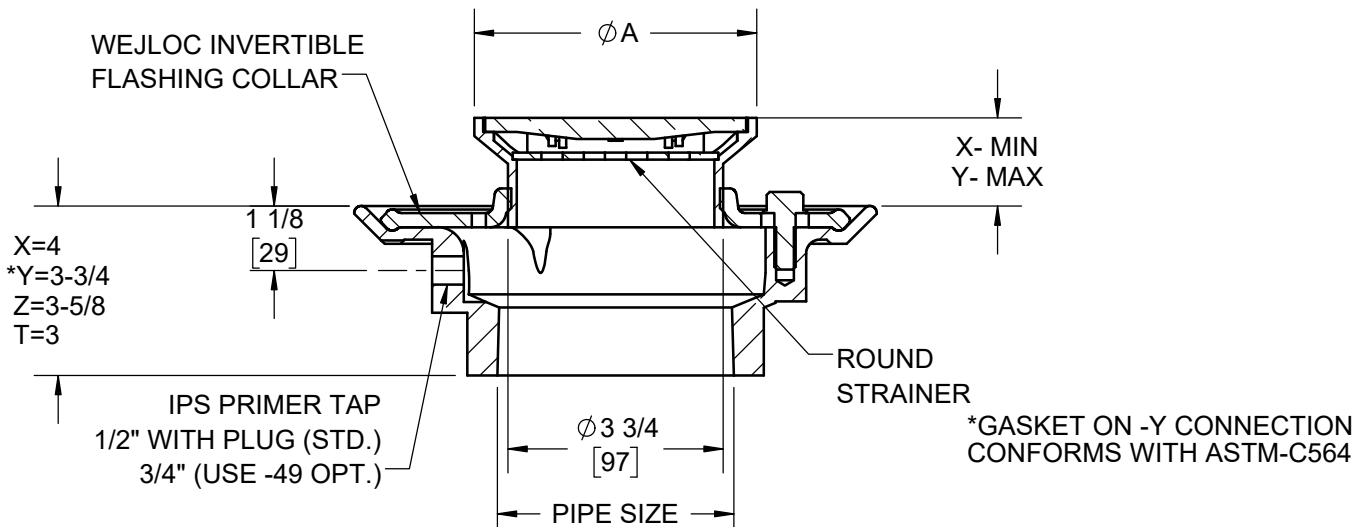
JOSAM SERIES 30000-G CAST IRON FLOOR DRAIN, TWO-PIECE BODY WITH DOUBLE DRAINAGE FLANGE AND 1/2" PRIMER TAP, WEJLOC® INVERTIBLE FLASHING COLLAR, WEEPHOLES, BOTTOM OUTLET CONNECTION AND NIKALOY ADJUSTABLE ROUND INTERNAL STRAINER WITH SOLID HINGED COVER.

**FLOOR DRAIN  
ADJUSTABLE FLOOR DRAIN**

SERIES **30000-G**



ADJUSTABLE STRAINER WITH SOLID HINGED COVER



STRAINER	A	X	Y	INT. STRAINER FREE AREA
-5G	5	3/4	2	4.1
-6G	6	1	2-1/4	4.5
-7G	7	1	2-3/4	5.7
-8G	8	1-5/8	2-5/8	7.8

2"	PIPE SIZE	-91	ROUGH BRONZE BODY
3"	PIPE SIZE	-92	GALVANIZED CAST IRON PARTS
4"	PIPE SIZE	-2	BRONZE ADJUSTABLE STRAINER
		-J	BACKWATER VALVE
-TSO	THREADED SIDE OUTLET	-VP	SECURED GRATE, VANDAL-PROOF SCREWS
-WT	WITH TRAP	-T	THREADED OUTLET
-PD	PRISON DRAIN	-X	INSIDE CAULK OUTLET
-ARE	ACID-RESISTING EPOXY	-Y	*HUB OUTLET WITH GASKET
-49	3/4" PRIMER TAP	-Z	NO-HUB SPIGOT OUTLET

DATE OF LAST CHANGE: 12/11/18

DIMENSIONS ARE SUBJECT TO MANUFACTURERS TOLERANCES AND CHANGE WITHOUT NOTICE. WE CAN ASSUME NO RESPONSIBILITY FOR USE OF SUPERSEDED OR VOID DATA.



MICHIGAN CITY, INDIANA

NOTES

WARNING: Cancer and Reproductive Harm - www.P65Warnings.ca.gov