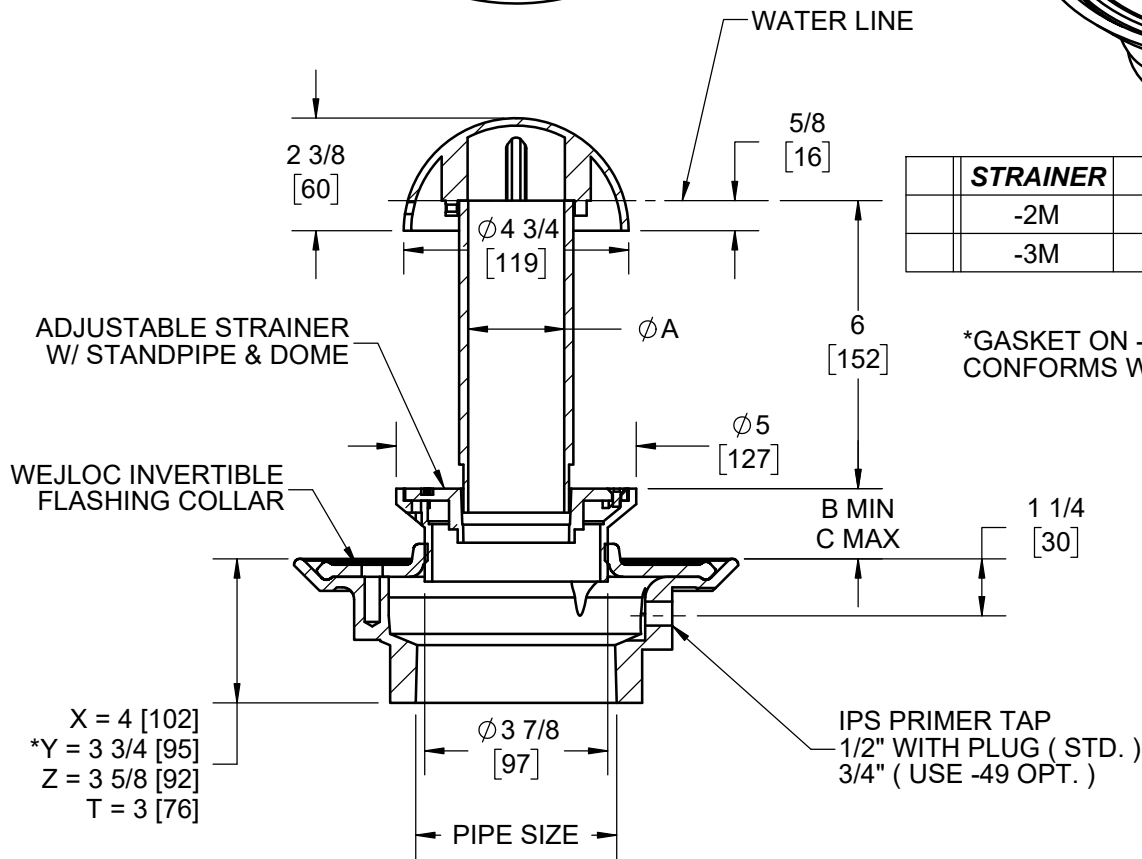
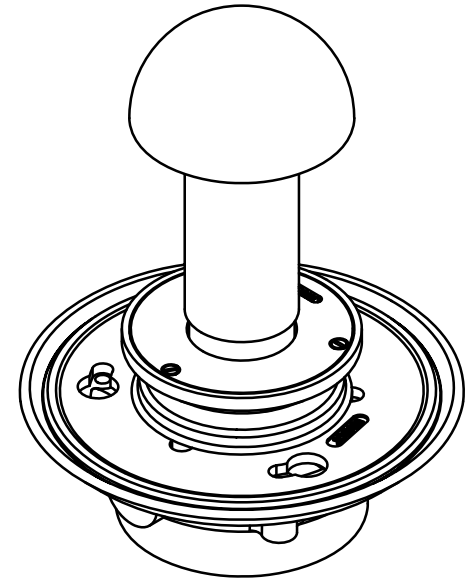
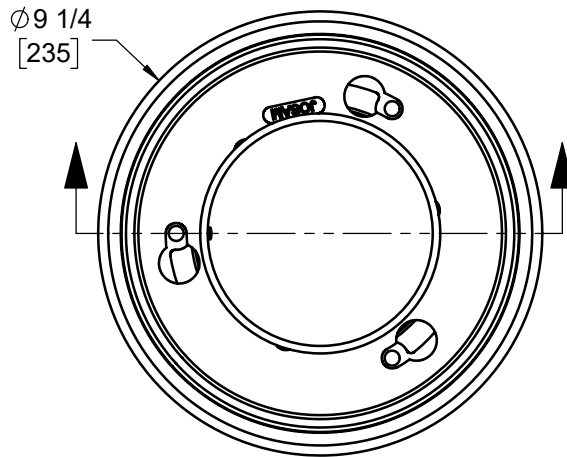


**SPECIFICATION:**

JOSAM SERIES 30000-M CAST IRON FLOOR DRAIN, TWO-PIECE BODY WITH DOUBLE DRAINAGE FLANGE AND 1/2" PRIMER TAP, WEJLOC® INVERTIBLE FLASHING COLLAR, WEEPHOLES, BOTTOM OUTLET CONNECTION AND CHROME PLATED ADJUSTABLE STANDPIPE WITH DOME.

**FLOOR DRAIN  
ADJUSTABLE FLOOR DRAIN**

SERIES **30000-M**



	STRAINER	A	B	C
	-2M	2	1	2-1/8
	-3M	3	1/2	1-7/8

\*GASKET ON -Y CONNECTION CONFORMS WITH ASTM-C564

	2"	PIPE SIZE		-92	GALVANIZED CAST IRON PARTS
	3"	PIPE SIZE		-2	BRONZE ADJUSTABLE STRAINER
	4"	PIPE SIZE		-24	LESS DOME
	-TSO	THREADED SIDE OUTLET		-PF	PERFORATED STANDPIPE
	-ST	WITH SHALLOW TRAP (2" AND 3" ONLY)			
	-PD	PRISON DRAIN (2" AND 3" ONLY)		-T	THREADED OUTLET
	-ARE	ACID-RESISTING EPOXY		-X	INSIDE CAULK OUTLET
	-49	3/4" PRIMER TAP		-Y	HUB OUTLET WITH GASKET*
	-91	ROUGH BRONZE BODY		-Z	NO-HUB SPIGOT OUTLET

DATE OF LAST CHANGE: 07/24/18

DIMENSIONS ARE SUBJECT TO MANUFACTURERS TOLERANCES AND CHANGE WITHOUT NOTICE. WE CAN ASSUME NO RESPONSIBILITY FOR USE OF SUPERSEDED OR VOID DATA.

**JOSAM**

MICHIGAN CITY, INDIANA

NOTES