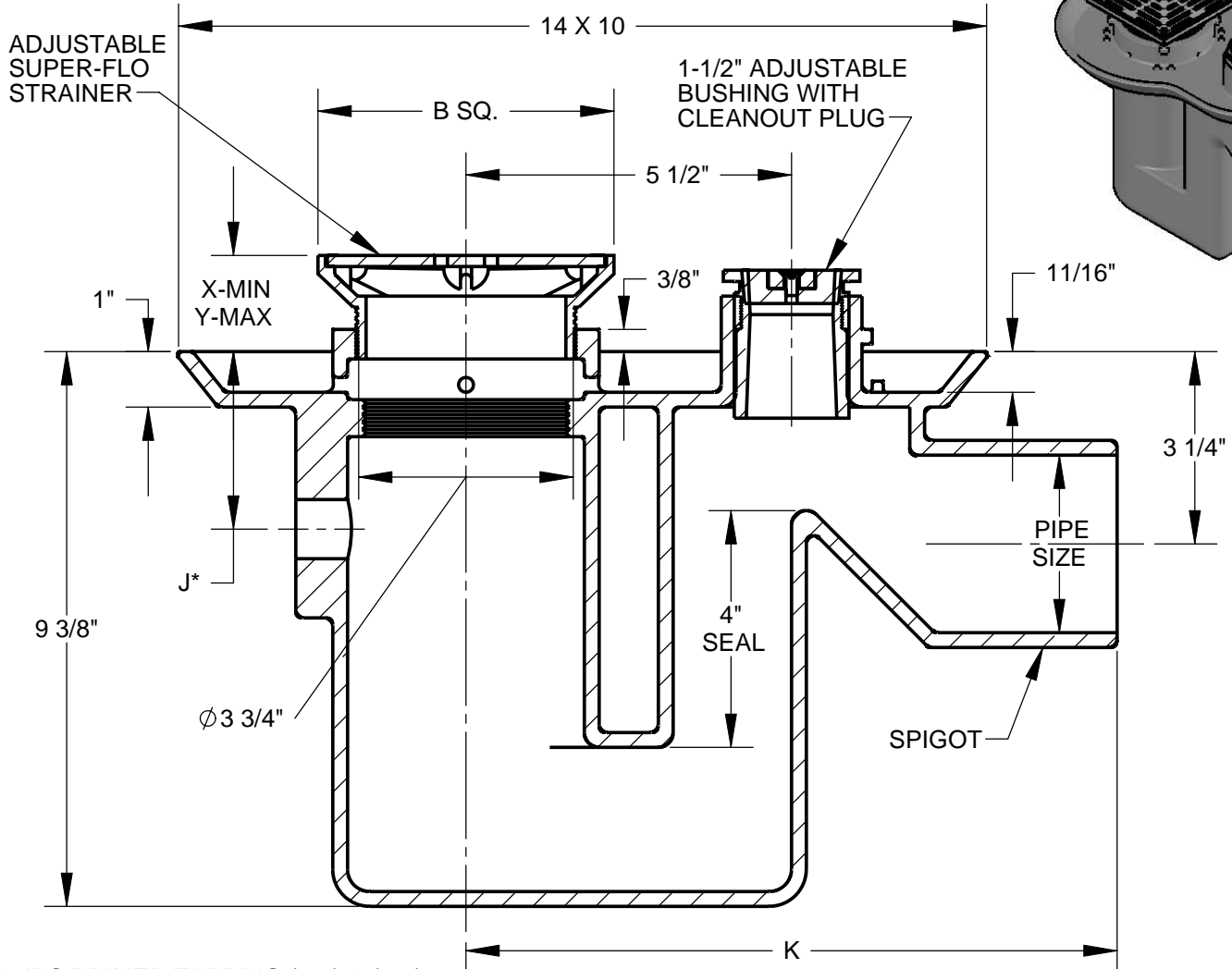
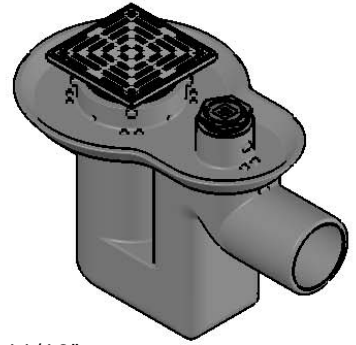


**SPECIFICATION:**

JOSAM 30500-S SERIES COATED CAST IRON COMBINED FLOOR DRAIN AND INTEGRAL DEEP DRUM TYPE "P" TRAP WITH DOUBLE DRAINAGE FLANGE, NO-HUB SPIGOT SIDE OUTLET, WEEPHOLES, BRONZE INTEGRAL FLUSH-FLOOR CLEANOUT AND NIKALOY ADJUSTABLE SQUARE SUPER-FLO STRAINER.

**FLOOR DRAIN  
ADJUSTABLE FLOOR DRAIN**

SERIES **30500-S**



\* IPS PRIMER TAPPING (-49) & (-50)  
AUX. THREADED INLET (-51) & (-52)

MODEL	PIPE SIZE	J*	K
30502	2"	3	14-1/8
30503	3"	3-1/2	11
30504	4"	4-1/8	11

STRAINER	B	X	Y	FREE AREA
-5S	5	1-1/4	2	9.1
-6S	6	1-1/2	2-1/4	13.8
-8S	8	2	2-5/8	24.5

-C	BOLTED FLASHING CLAMP DEVICE
-49	3/4" PRIMER TAP
-50	1/2" PRIMER TAP
-51	1-1/2" THREADED AUXILIARY INLET
-52	2" THREADED AUXILIARY INLET
-92	GALVANIZED CAST IRON PARTS
-2	BRONZE ADJUSTABLE STRAINER
-SS	STAINLESS STEEL ADJ. STRAINER
-80	PERFORATED SS BASKET
-CP	CHROME PLATED STRAINER (5S, 6S)
-J	BACKWATER VALVE
-VP	SECURED GRATE, VANDAL-PROOF SCREWS

DATE OF LAST CHANGE: 06/18/08

DIMENSIONS ARE SUBJECT TO MANUFACTURERS TOLERANCES AND CHANGE WITHOUT NOTICE. WE CAN ASSUME NO RESPONSIBILITY FOR USE OF SUPERSEDED OR VOID DATA.

**JOSAM COMPANY**  
MICHIGAN CITY, INDIANA

NOTES