

SPECIFICATION:

JOSAM 32100-SS-AE-81 SERIES TYPE 316 CAST STAINLESS STEEL LEVELEZE® FLOOR DRAIN, DOUBLE DRAINAGE FLANGE, WEEPHOLES, ADJUSTABLE COLLAR WITH ROLLED THREADS, ROUND TOP, LOOSE-SET ANTI-TILTING SUPER-FLO® GRATE WITH PERIMETER DRAINAGE SLOTS, SHALLOW SEDIMENT BUCKET, BOTTOM OUTLET, BUTT WELD CONNECTION FOR SCHEDULE 40 PIPE.

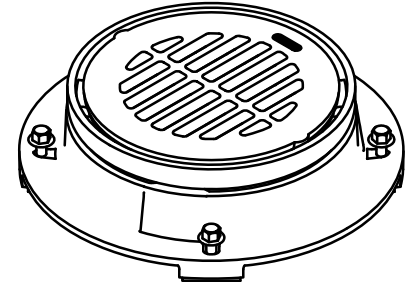
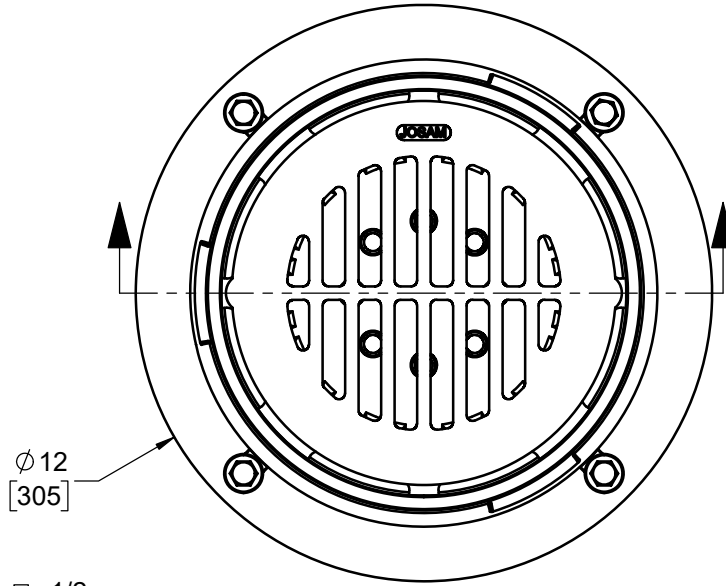
FLOOR DRAIN

9" ROUND TOP, STAINLESS STEEL W/ ADJ. EXTENSION AND BUCKET

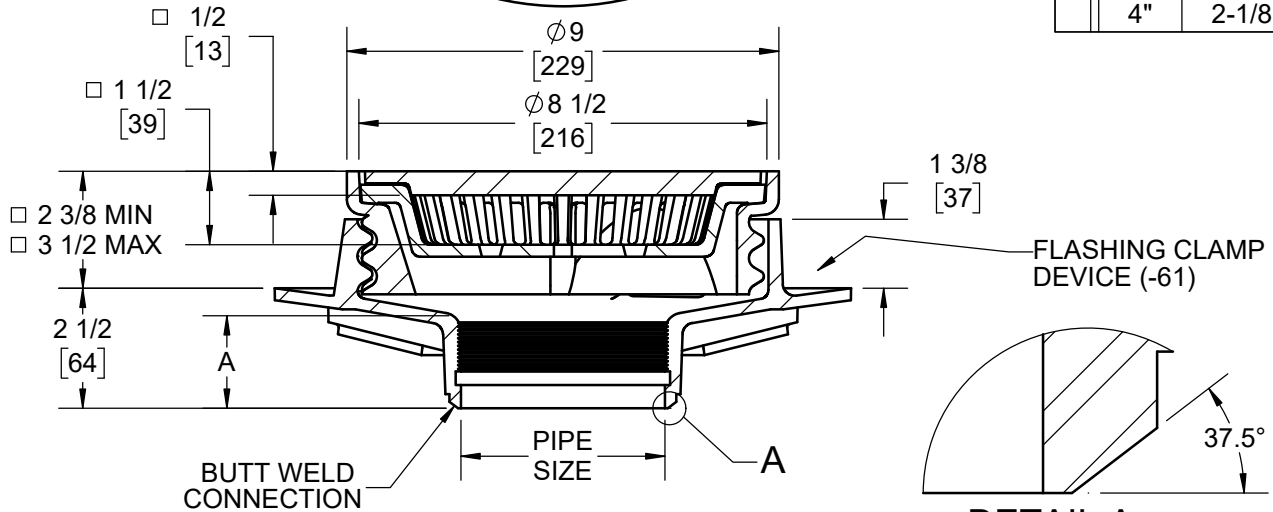
SERIES **32100-SS-AE-81**

GRATE FREE AREA: 21.8 IN²
STD. STAINLESS STEEL SLOT WIDTH: 15/32"

FORMERLY 54220 SERIES



	PIPE SIZE	A
	2"	1-7/8"
	3"	2"
	4"	2-1/8"



ADD 1/4" WHEN FURNISHED WITH NIKALOY (-1)

PRODUCT IS NON-CANCELABLE AND NON-RETURNABLE NAME: _____ SIGNATURE: _____ DATE: _____

X	-AE	LEVELEZE® ADJUSTABLE EXTENSION
X	-81	SHALLOW STAINLESS STEEL SEDIMENT BUCKET
	-8	SOLID COVER
	-9	STAINLESS STEEL MESH ON UNDERSIDE OF GRATE
	-21	4" ROUND FUNNEL
	-22	6" ROUND FUNNEL

-23	9" x 3" OVAL FUNNEL
-25	STAINLESS STEEL RECESSED CLOSURE PLUG
-26	MOLDED ABS RECESSED CLOSURE PLUG
-34	"T" HANDLE FOR RECESSED PLUG
-50	1/2" PRIMER TAP
-61	FLASHING CLAMP DEVICE
-69	SCHEDULE 10 S BUTT WELD CONNECTION

DATE OF LAST CHANGE: 04/16/21

DIMENSIONS ARE SUBJECT TO MANUFACTURERS TOLERANCES AND CHANGE WITHOUT NOTICE. WE CAN ASSUME NO RESPONSIBILITY FOR USE OF SUPERSEDED OR VOID DATA.

JOSAM
MICHIGAN CITY, INDIANA

NOTES

WARNING: Cancer and Reproductive Harm - www.P65Warnings.ca.gov