

**SPECIFICATION:**

JOSAM 32100-SS-AE SERIES TYPE 316 CAST STAINLESS STEEL LEVELEZE® FLOOR DRAIN, DOUBLE DRAINAGE FLANGE, WEEPHOLES, ROUND TOP, ADJUSTABLE COLLAR WITH ROLLED THREADS AND HEAVY-DUTY LOOSE-SET ANTI-TILTING SUPER-FLO® GRATE WITH PERIMETER DRAINAGE SLOTS, BOTTOM OUTLET, BUTT WELD CONNECTION FOR SCHEDULE 40 PIPE.

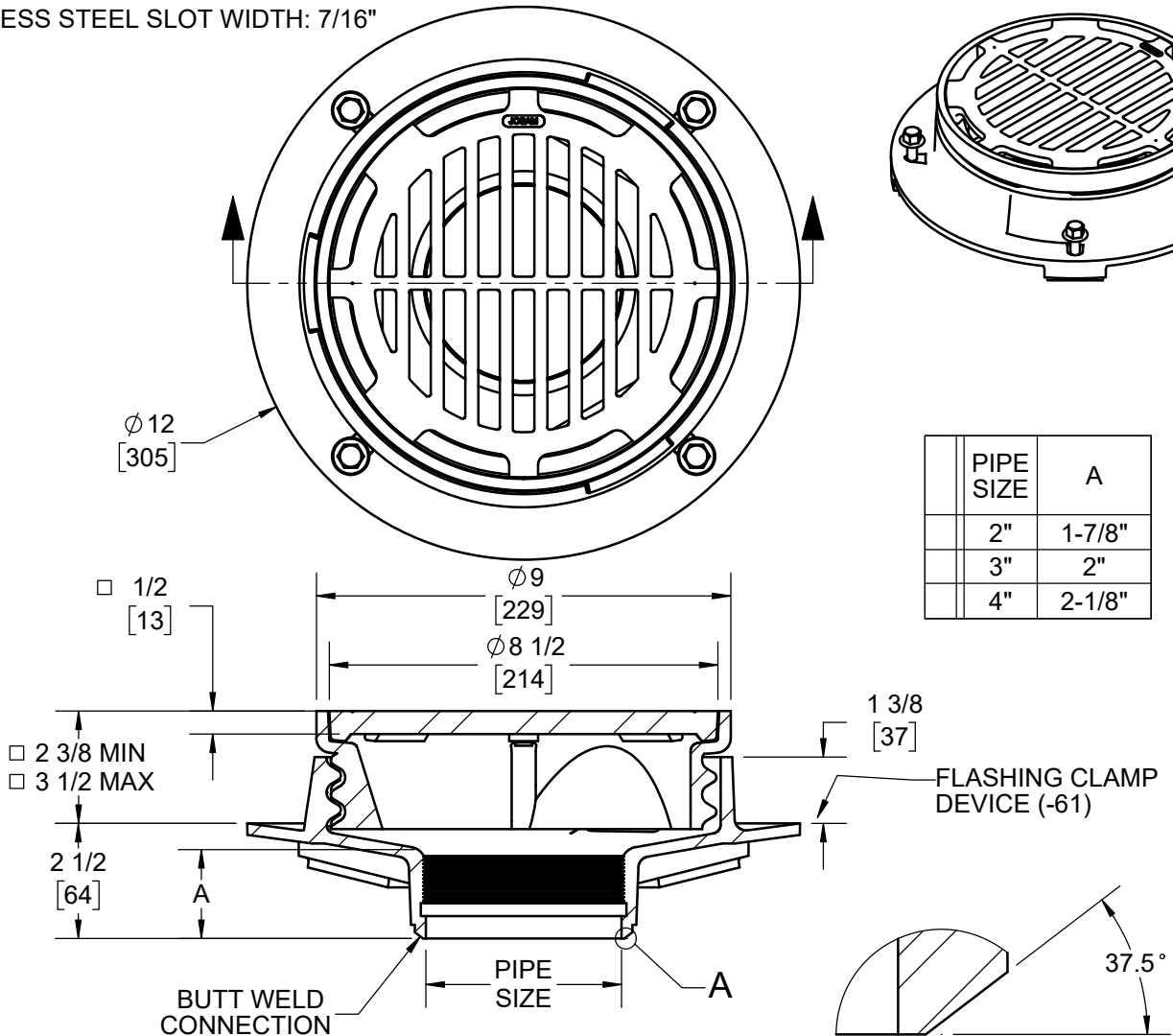
**FLOOR DRAIN**

**9" ROUND TOP,  
STAINLESS STEEL**

SERIES **32100-SS-AE**

FORMERLY 54210 SERIES

GRATE FREE AREA: 26.5 IN<sup>2</sup>  
STD. STAINLESS STEEL SLOT WIDTH: 7/16"



ADD 1/4" WHEN FURNISHED WITH NIKALOY (-1)

PRODUCT IS NON-CANCELABLE AND NON-RETURNABLE NAME: \_\_\_\_\_ SIGNATURE: \_\_\_\_\_ DATE: \_\_\_\_\_

X	-AE	LEVELEZE® ADJUSTABLE EXTENSION
Δ	-81	SHALLOW STAINLESS STEEL SEDIMENT BUCKET
	-8	SOLID COVER
	-9	STAINLESS STEEL MESH ON UNDERSIDE OF GRATE
	-21	4" ROUND FUNNEL
	-22	6" ROUND FUNNEL

	-23	9" x 3" OVAL FUNNEL
	-25	STAINLESS STEEL RECESSED CLOSURE PLUG
	-26	MOLDED ABS RECESSED CLOSURE PLUG
	-34	"T" HANDLE FOR RECESSED PLUG
	-50	1/2" PRIMER TAP
	-61	FLASHING CLAMP DEVICE
	-69	SCHEDULE 10 S BUTT WELD CONNECTION

ΔSEPARATE SUBMITTAL FOR THIS OPTION AVAILABLE

DATE OF LAST CHANGE: 04/16/21

DIMENSIONS ARE SUBJECT TO MANUFACTURERS TOLERANCES AND CHANGE WITHOUT NOTICE. WE CAN ASSUME NO RESPONSIBILITY FOR USE OF SUPERSEDED OR VOID DATA.

**JOSAM**  
MICHIGAN CITY, INDIANA

NOTES

WARNING: Cancer and Reproductive Harm - www.P65Warnings.ca.gov