

SPECIFICATION:

JOSAM 32106-Z COATED CAST IRON FLOOR DRAIN, TWO-PIECE BODY WITH DOUBLE DRAINAGE FLANGE, WEJLOC NON-PUNCTURING CLAMP COLLAR, WEEPHOLES, 6" NO-HUB BOTTOM OUTLET, AND MEDIUM-DUTY LOOSE-SET ANTI-TILTING SUPER-FLO GRATE WITH PERIMETER DRAINAGE SLOTS.

FLOOR DRAIN
9" ROUND TOP, SUPER-FLO

SERIES **32106-Z**

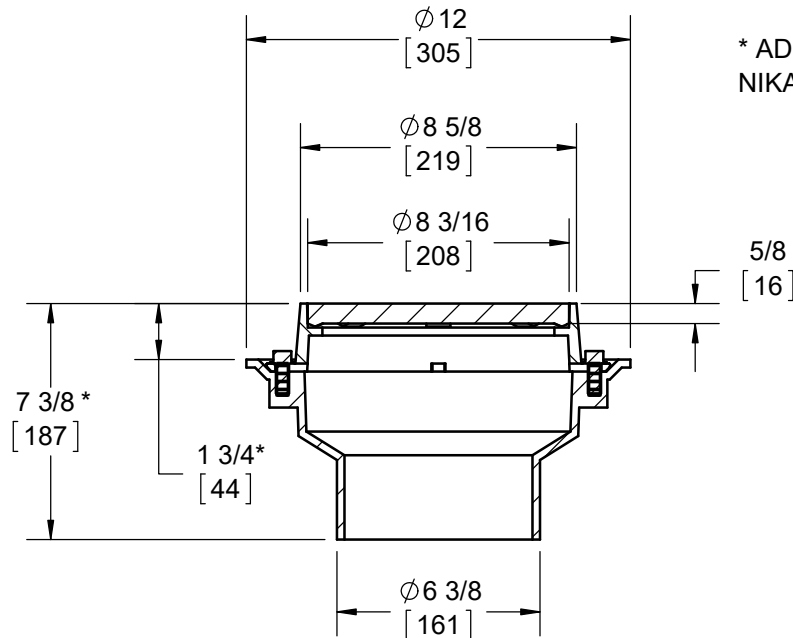
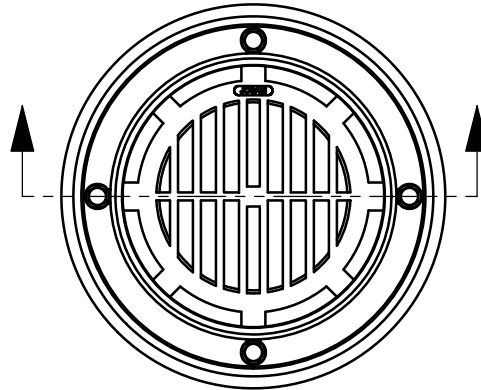
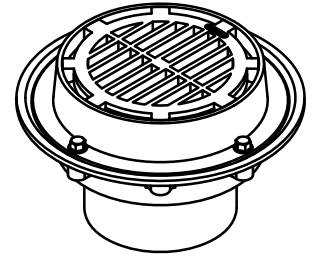
GRATE FREE AREA: 27 IN²

SLOT WIDTH 3/8" (ADA)

-1 & -2 GRATES:

FREE AREA: 25 IN²

SLOT WIDTH 1/4" (ADA AND HP)



* ADD 1/4" WHEN FURNISHED WITH NIKALOY OR BRONZE TOP (-1 OR -2)

-81	SLOTTED CAST IRON BUCKET (GRATE PN 039180)
-1	SATIN FINISH NIKALOY TOP
-2	SATIN FINISH BRONZE TOP
-7	DUCTILE IRON GRATE
-11	EXTRA-HEAVY DUTY GRATE, CAST IRON
-13	DOME GRATE, CAST IRON
-13-1	DOME GRATE, NIKALOY
-13-2	DOME GRATE, BRONZE
-15	CHAINED GRATE

-39	SOLID CAST IRON COVER
-ARE	ACID-RESISTING EPOXY
-49	3/4" PRIMER TAP
-50	1/2" PRIMER TAP
-84	STAINLESS STEEL MESH BUCKET LINER
-88	SUPPLEMENTARY STRAINER
-92	GALVANIZED CAST IRON PARTS
-HP	HEEL-PROOF GRATE, CI 5/16" SLOTS, 26 IN ² FA

DATE OF LAST CHANGE: 10/24/16

DIMENSIONS ARE SUBJECT TO MANUFACTURERS TOLERANCES AND CHANGE WITHOUT NOTICE. WE CAN ASSUME NO RESPONSIBILITY FOR USE OF SUPERSEDED OR VOID DATA.

JOSAM COMPANY
MICHIGAN CITY, INDIANA

NOTES