

SPECIFICATION:

JOSAM 32200-SS SERIES TYPE 316 CAST STAINLESS STEEL FLOOR DRAIN, DOUBLE DRAINAGE FLANGE, WEEPHOLES, ROUND TOP, LOOSE-SET ANTI-TILTING GRATE, BOTTOM OUTLET, BUTT WELD CONNECTION FOR SCHEDULE 40 PIPE. HEAVY DUTY LOAD RATING.

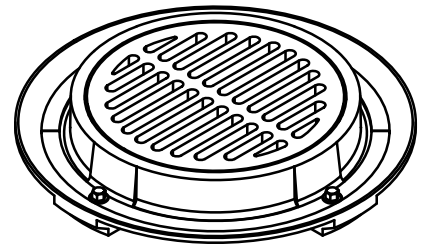
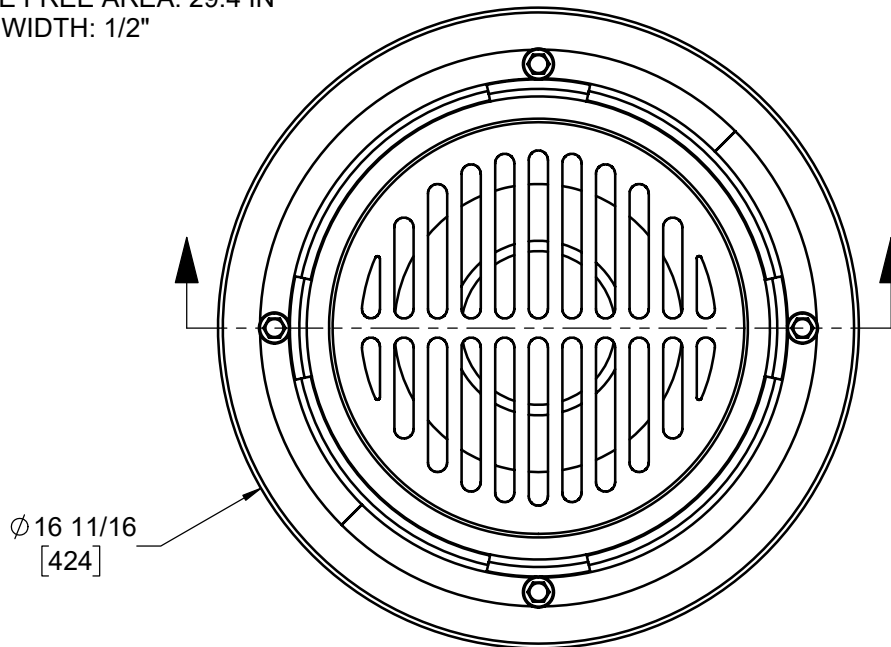
FLOOR DRAIN

12" ROUND TOP,
STAINLESS STEEL

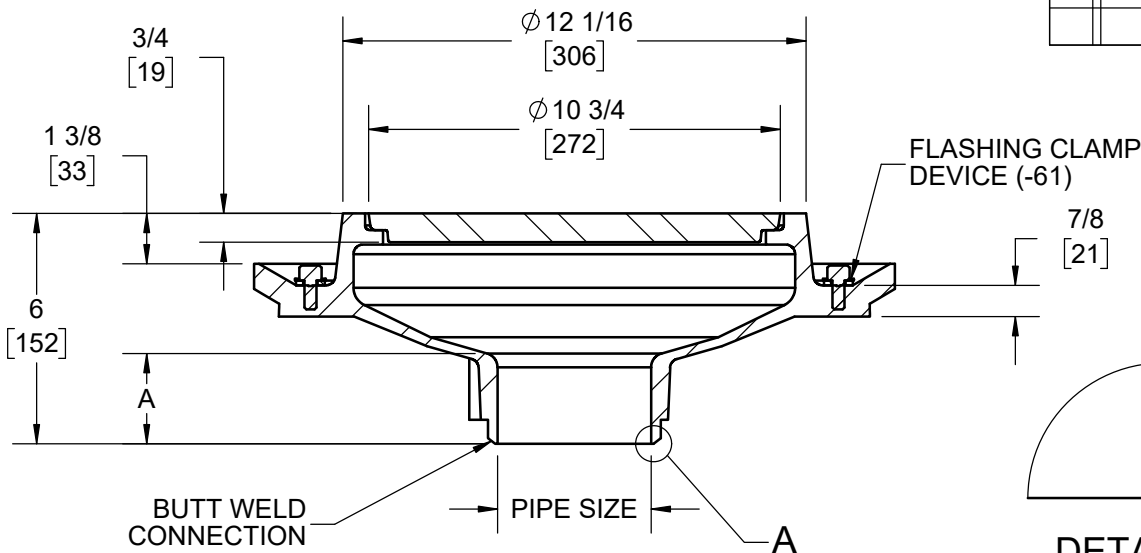
SERIES **32200-SS**

GRATE FREE AREA: 29.4 IN²
SLOT WIDTH: 1/2"

FORMERLY 54250 SERIES



PIPE SIZE	A
3"	2-1/8"
4"	2-1/4"
6"	2-5/8"



PRODUCT IS NON-CANCELABLE AND NON-RETURNABLE NAME: _____ SIGNATURE: _____ DATE: _____

-8	SOLID COVER
-9	STAINLESS STEEL MESH ON UNDERSIDE OF GRATE
-22	6" SQUARE FUNNEL (FABRICATED, 316 SS)
-25	STAINLESS STEEL RECESSED CLOSURE PLUG

-26	MOLDED ABS RECESSED CLOSURE PLUG
-34	"T" HANDLE FOR RECESSED PLUG
-61	FLASHING CLAMP DEVICE
-69	SCHEDULE 10 S BUTT WELD CONNECTION

DATE OF LAST CHANGE: 4/19/20

DIMENSIONS ARE SUBJECT TO MANUFACTURERS TOLERANCES AND CHANGE WITHOUT NOTICE. WE CAN ASSUME NO RESPONSIBILITY FOR USE OF SUPERSEDED OR VOID DATA.

JOSAM
MICHIGAN CITY, INDIANA

NOTES

WARNING: Cancer and Reproductive Harm - www.P65Warnings.ca.gov